

INTEROBIZ

www.interobiz.ro



Construction

Close-coupled centrifugal pumps with open impeller. The built-in backflow preventer avoids reverse siphoning when the pump is stopped and assures automatic re-priming at the next start. The pump re-primed itself even if partially filled with liquid and with completely empty suction pipe.

Applications

For clean or slightly dirty water, also with solids up to 10 mm grain size for A 50-125 and 15 mm for A 65-150. For draining a basin or a sump. For irrigation. For civil and industrial applications.

Operating conditions

Liquid temperature from -10 °C to +90 °C. Room temperature up to 40 °C. Maximum permissible working pressure up to 6 bar. Continuous duty.

Motor

2-pole induction motor, 50 Hz (n = 2900 1/min).

A : three-phase 230/400 V ± 10%.

AM: single-phase 230 V ± 10%, with thermal protector. Capacitor inside the terminal box.

Insulation class F.

Protection IP 54

Constructed in accordance with IEC 60034.

Special features on request

Other voltages.

Frequency 60 Hz (as per 60 Hz data sheet).

Protection IP 55.

Special mechanical seal.

Higher or lower liquid or ambient temperatures.

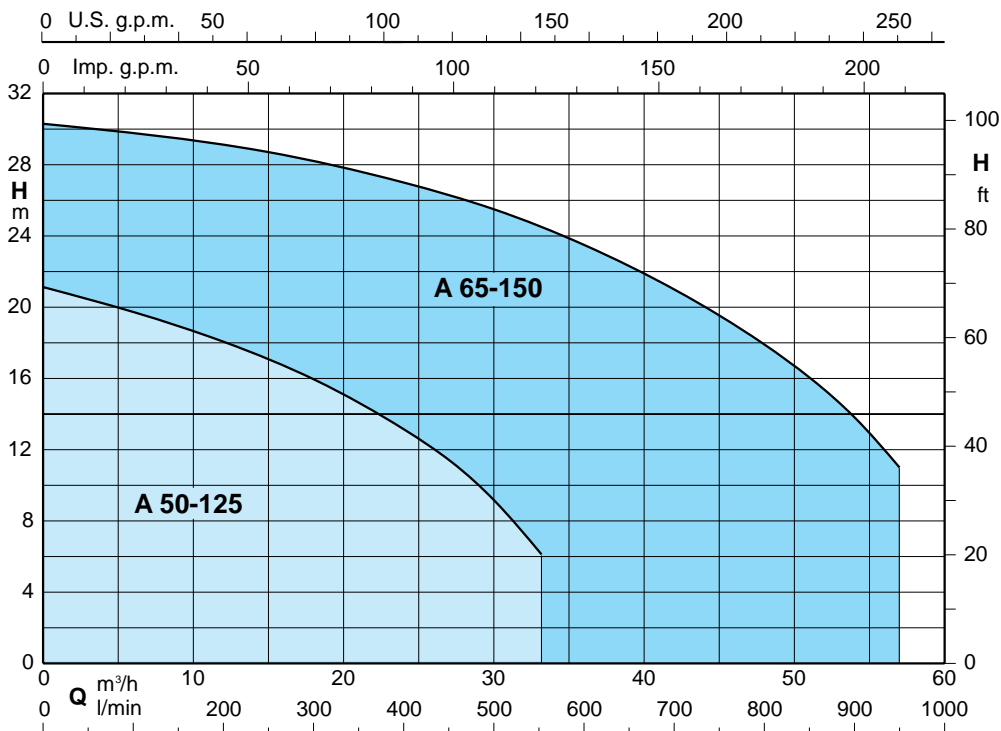
Explosion proof construction in accordance with Directive 94/9 EEC (ATEX).

Construction with bearing bracket.

Materials

Components	A	B-A
Pump casing Suction flange Inspection cover (for A 65-150) Lantern bracket Impeller	Cast iron GJL 200 EN 1561	Bronze G-Cu Sn 10 EN 1982
Shaft	Chrome-nickel steel 1.4305 EN 10088 (AISI 303) Chrome steel 1.4104 EN 10088 (AISI 430) for A 65-150AE, BE	Cr-Ni-Mo steel 1.4401 EN 10088 (AISI 316)
Mechanical seal	Carbon - Ceramic - NBR	

Coverage chart $n \approx 2900$ rpm





Self-Priming Centrifugal Pumps with open impeller

Performance $n \approx 2900$ rpm

3 ~	230 V 400 V		1 ~	230 V		P ₂		m ³ /h Q l/min	6	9	12	15	18	21	24	27	30	33
	A	A		A	kW	kW	HP		100	150	200	250	300	350	400	450	500	550
A 50-125CE B-A 50-125CE	4	2,3	AM 50-125CE B-AM 50-125CE	5,8	1,2	0,75	1	H m	13	12,5	11,5	10,5	9,5	8	6	4		
A 50-125BE B-A 50-125BE	5	2,9	AM 50-125BE B-AM 50-125BE	7,4	1,6	1,1	1,5		16	15	14,5	13,5	12	10,5	9	7	5	
A 50-125AE B-A 50-125AE	7,5	4,3	AM 50-125AE B-AM 50-125AE	9,2	2,1	1,5	2		19,5	19	18	17	16	14,5	13	11	9	6

3 ~	230 V 400 V		P ₂		m ³ /h Q l/min	15	18	24	30	33	36	42	48	54	57
	A	A	kW	HP		250	300	400	500	550	600	700	800	900	950
A 65-150CE B-A 65-150CE	9,15	5,3	2,2	3	H m	17,5	17	16	14	13	11,5	9	6,5		
A 65-150BE B-A 65-150BE	11,5	6,6	3	4		21,5	21	19,5	17,5	16,5	15,5	12,5	9,5	6,5	
A 65-150AE B-A 65-150AE	16,6	9,6	4	5,5		29	28	27	25,5	24,5	23,5	21	18	14	11

P₁: Maximum power input.

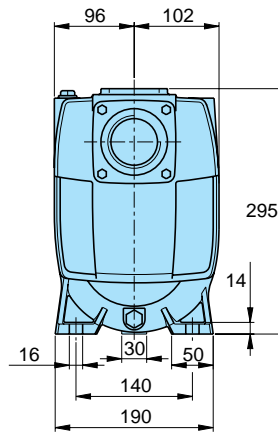
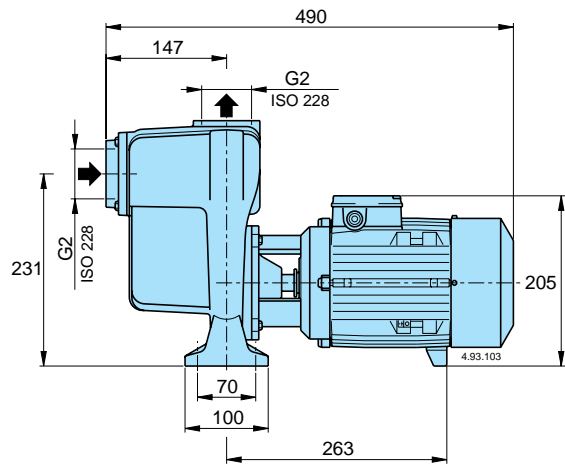
B-A, B-AM = Bronze construction.

Tolerances according to ISO 9906, annex A.

P₂: Rated motor power output.

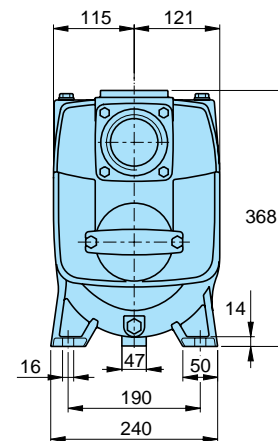
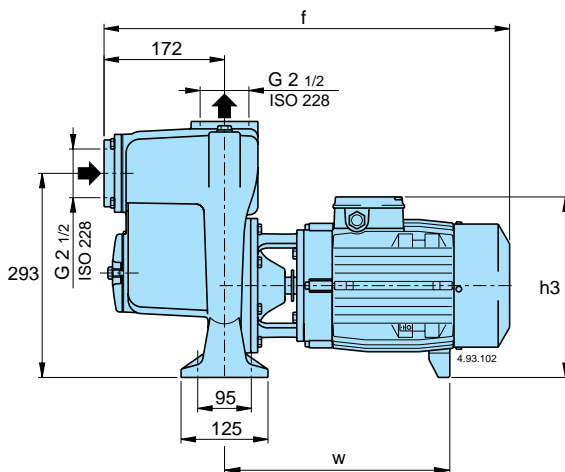
H Total head in m.

Dimensions and weights



	kg
A 50-125AE	29,9
AM 50-125AE	31
A 50-125BE	28
AM 50-125BE	29,1
A 50-125CE	26,9
AM 50-125CE	27,8

B-A 50-125AE	33,6
B-AM 50-125AE	33,6
B-A 50-125BE	31
B-AM 50-125BE	32,6
B-A 50-125CE	29,6
B-AM 50-125CE	30,6

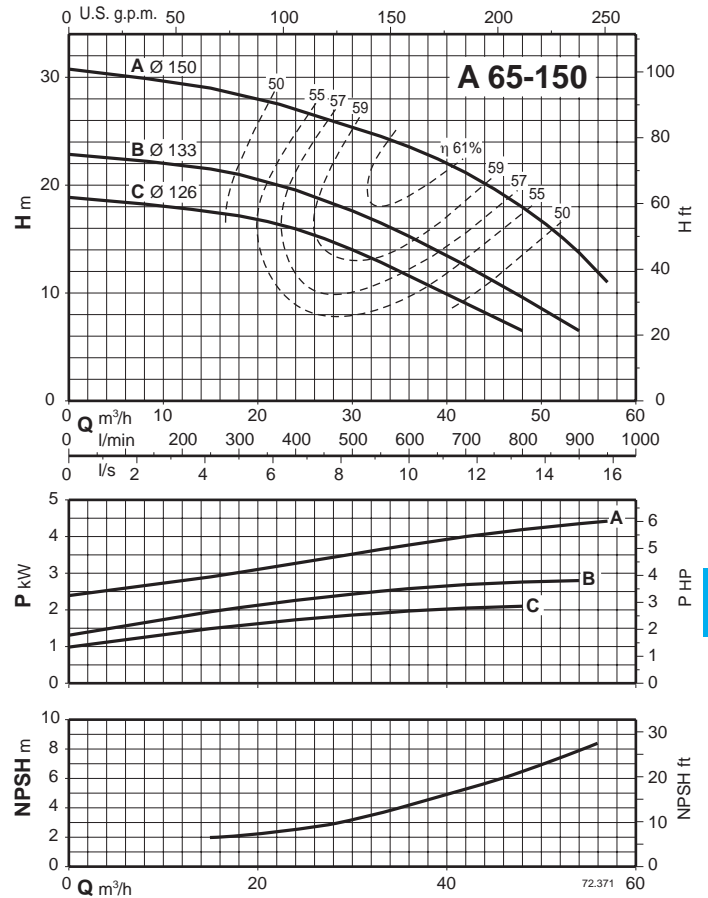
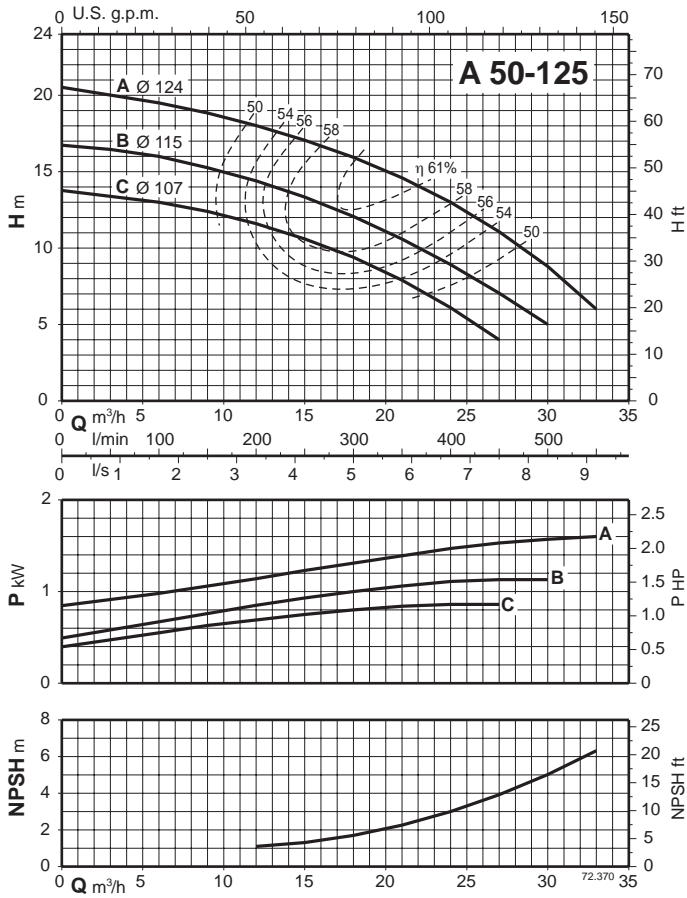


TYPE	mm			kg
	f	h3	w	
A 65-150CE B-A 65-150CE	543	242	279	46 47,5
A 65-150BE B-A 65-150BE	595	260	324	54 55,5
A 65-150AE B-A 65-150AE	595	260	324	58 59,5



Self-Priming Centrifugal Pumps with open impeller

Characteristic curves $n \approx 2900$ rpm

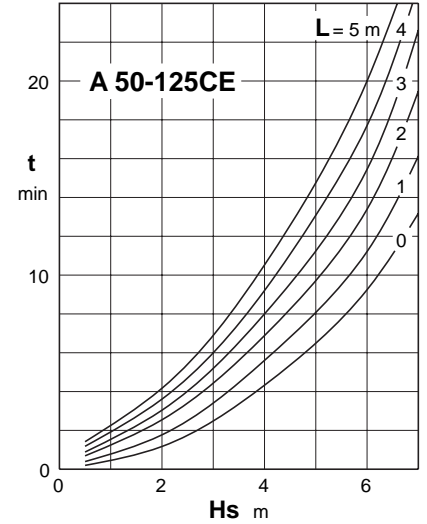
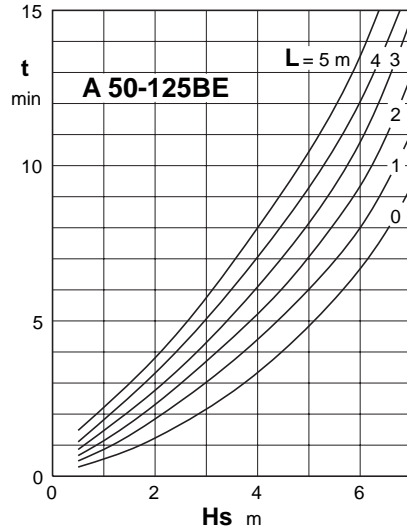
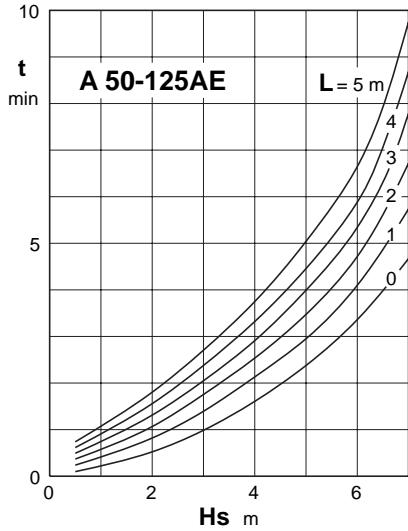




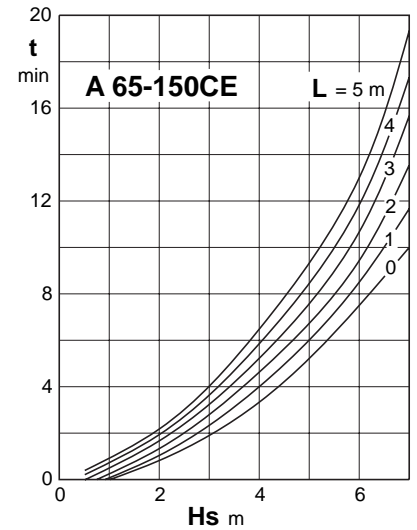
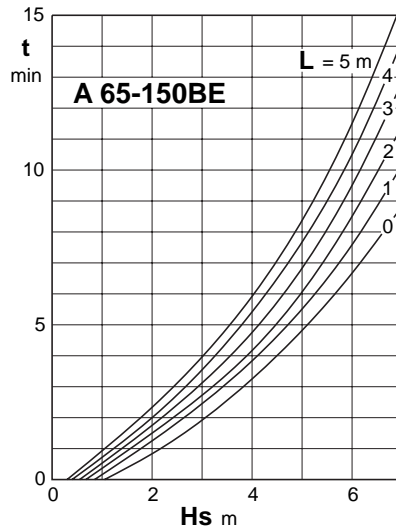
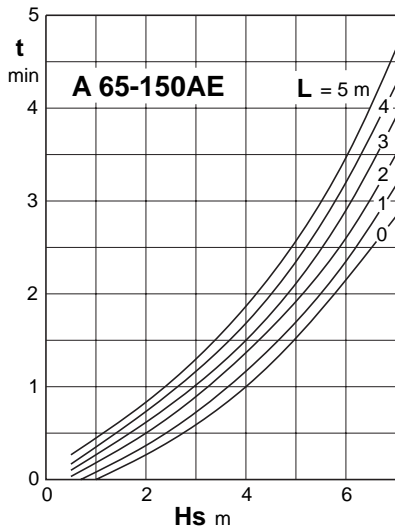
Self-Priming Centrifugal Pumps with open impeller

Self-priming Capability

A 50-125 with DN 50 mm suction pipe and cold water



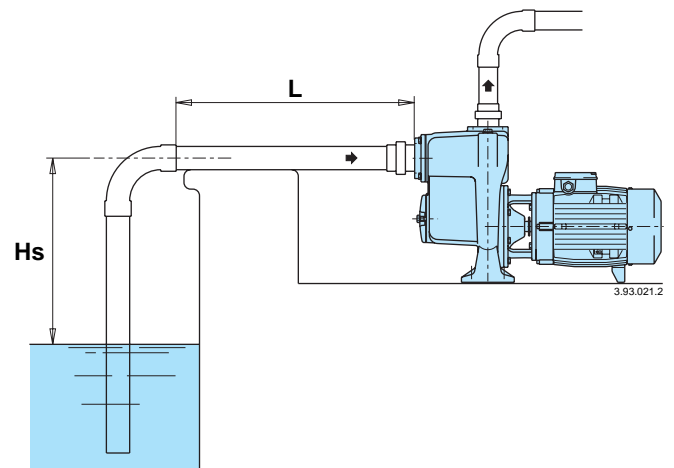
A 65-150 with DN 65 mm suction pipe and cold water

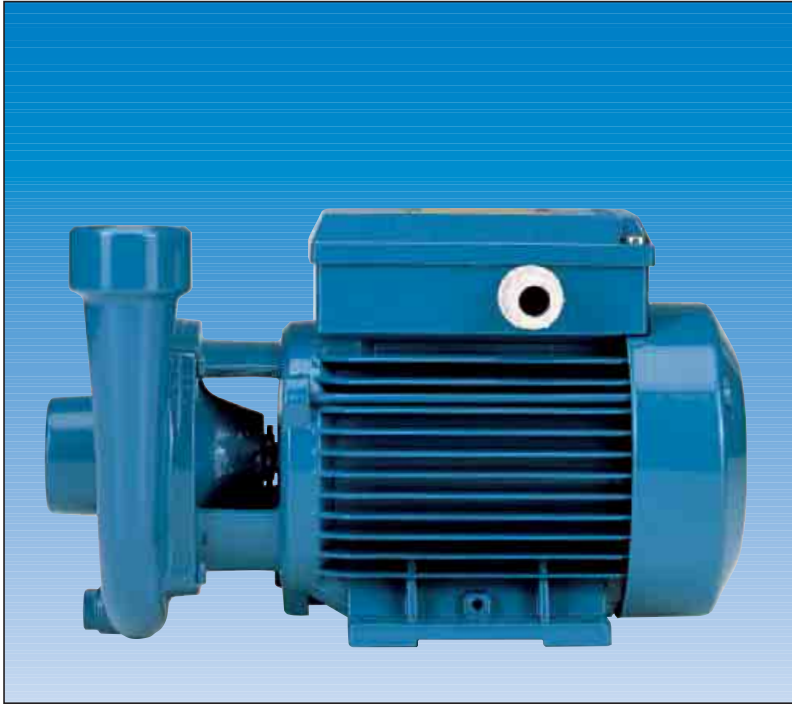


Hs (m) Suction lift.

L (m) Horizontal length of suction pipe above the water level.

t (min) Self-priming time.





Construction

Close-coupled centrifugal pumps with open impeller.
Free-flow impeller (vortex or recessed impeller) for type C 16/1E.

Applications

For moderately dirty liquids or emulsions.
For industry and agriculture.

Operating conditions

Liquid temperature from -10 °C to +90 °C.
Ambient temperature up to 40 °C.
Total suction lift up to 8 m.
Maximum permissible working pressure: 6 bar.
Maximum size of solids: 4 mm.
Continuous duty.

Motor

2-pole induction motor, 50 Hz (n = 2900 rpm).

C: three-phase 230/400 V ± 10%.

CM: single-phase 230 V ± 10%, with thermal protector.
Capacitor inside the terminal box.

Insulation class F.

Protection IP 54.

Constructed in accordance with: IEC 60034.

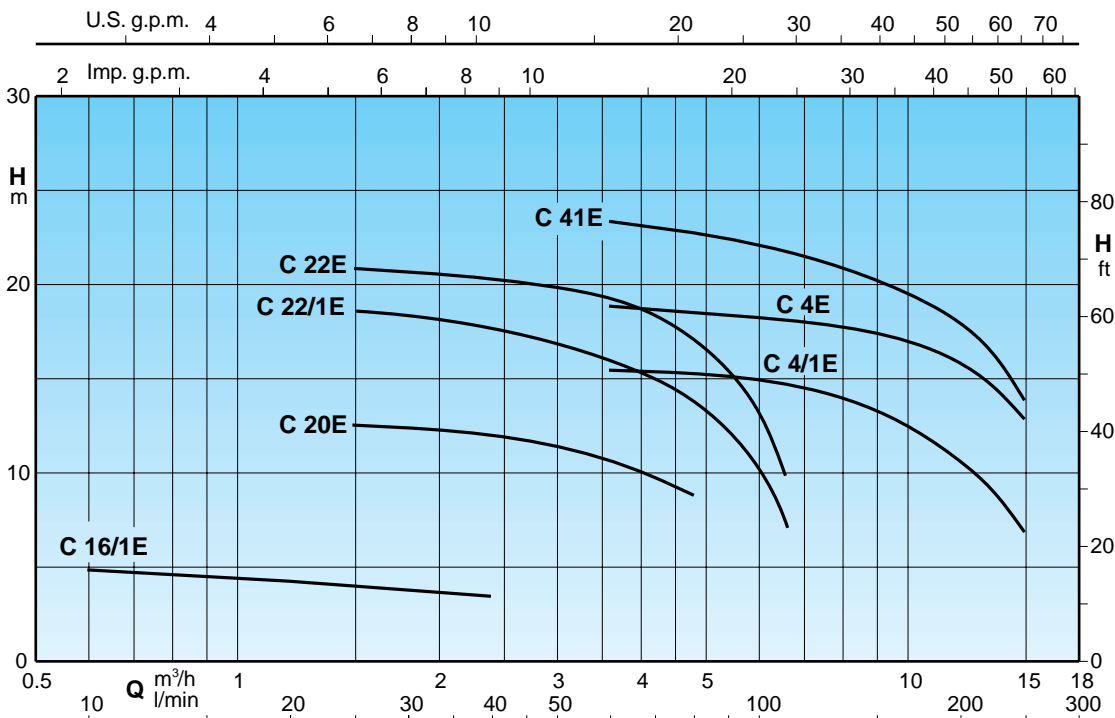
Special features on request

- Other voltages.
- Frequency 60 Hz (as per 60 Hz data sheet).
- Protection IP 55.
- Special mechanical seal
- Higher or lower liquid or ambient temperatures.

Materials

Component	C	B-C
Pump casing	Cast iron GJL 200 EN 1561	Bronze G-Cu Sn 10 EN 1982
Lantern bracket	Cast iron GJL 200 EN 1561	Bronze G-Cu Sn 10 EN 1982
Impeller	Brass P- Cu Zn 40 Pb 2 UNI 5705	
Shaft	Chrome steel 1.4104 EN 10088 (AISI 430)	Cr-Ni-Mo steel 1.4401 EN 10088 (AISI 316)
	Chrome-nickel steel 1.4305 EN 10088 (AISI 303) for C 41	
Mechanical seal	Carbon - Ceramic - NBR	

Coverage chart $n \approx 2900$ rpm





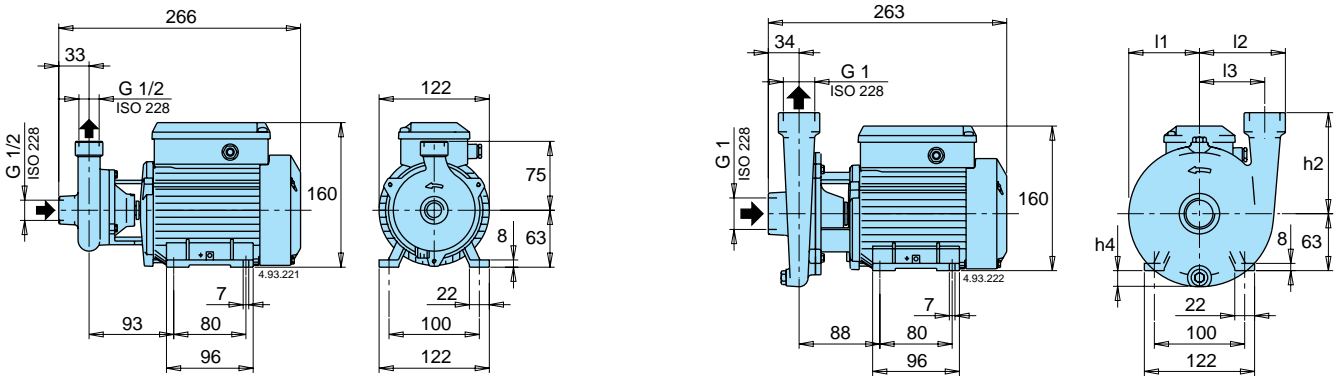
Centrifugal Pumps with open impeller

Performance $n \approx 2900$ rpm

3 ~	230V 400V		1 ~	230V		P ₁	P ₂		Q																			
	A	A		A	kW		kW	HP		m ³ /h																		
									l/min	0,6	0,9	1,2	1,5	1,8	2,4	3	3,6	4,8	6	6,6	8,4	9,6	10,8	12	13,2	15		
C 16/1E B-C 16/1E	1,7	1	CM 16/1E B-CM 16/1E	1,2	0,16	0,15	0,2	H m	5	4,7	4,4	4,2	4	3,6														
C 20E B-C 20E	1,9	1,1	CM 20E B-CM 20E	2,5	0,4	0,37	0,5						12,3	12,2	12	11,5	10,8	9										
C 22/1E B-C 22/1E	2,4	1,4	CM 22/1E B-CM 22/1E	3	0,8	0,45	0,6						18	18	17,5	17	16	14	10	7,5								
C 22E B-C 22E	3	1,7	CM 22E B-CM 22E	3,5	0,9	0,55	0,75						21	21	20,5	20	19,5	17,5	13	10								
C 4/1E	3	1,7	CM 4/1E	4,5	0,91	0,55	0,75											15,6	15,4	15,2	15	14	13,1	12	10,8	9,5	7	
C 4E B-C 41/1E	3,7	2,2	CM 4E B-CM 41/1E	5,7	1,2	0,75	1											19	18,8	18,5	18,3	17,7	17,4	16,8	16	15	13	
C 41E B-C 41E	5	2,9	CM 41E B-CM 41E	7,4	1,6	1,1	1,5											23,5	23,1	22,5	22	21	20	18,5	17	15,5	14	

P₁ Maximum power input. B-C, B-CM = Bronze construction. ρ = Density 1000 kg/m³. Tolerances according to ISO 9906, annex A.
P₂ Rated motor power output. **H** Total head in m. ν = Kinematic viscosity max 20 mm²/sec.

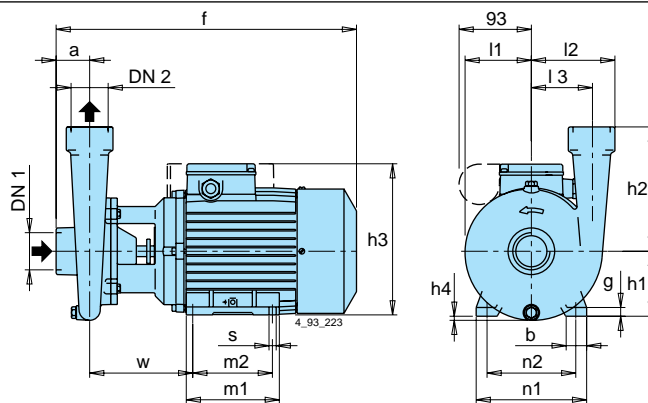
Dimensions and weights



TYPE	kg
C 16/1E	5,2
CM 16/1E	5,2

TYPE	kg
B-C 16/1E	5,6
B-CM 16/1E	5,6

TYPE	mm					kg	
	h2	h4	l1	l2	l3	C	CM
C 20E	90	5	67	82	60	6,8	6,8
C 22/1E - C 22E	110	17	77	94	71	8 - 8,3	8 - 8,3

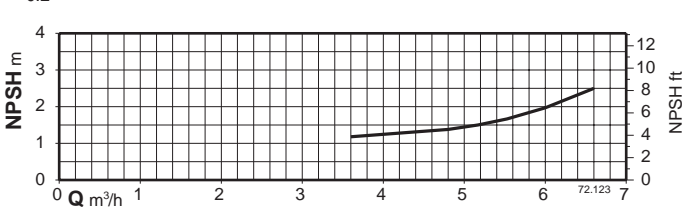
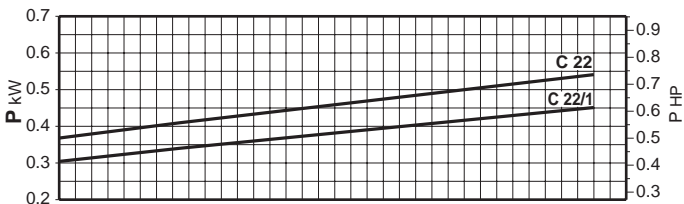
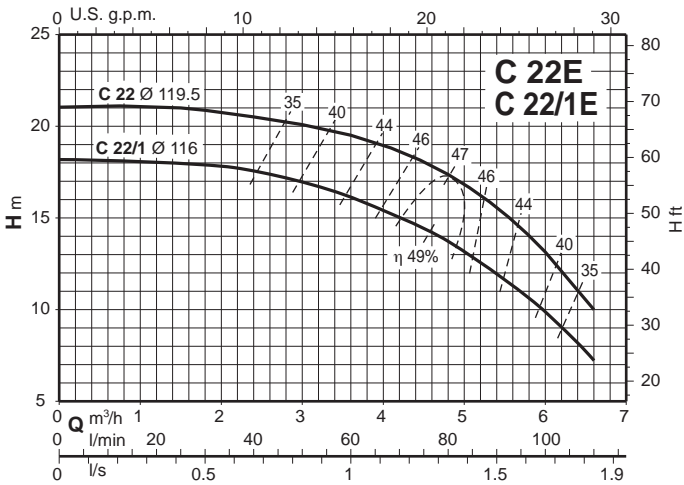
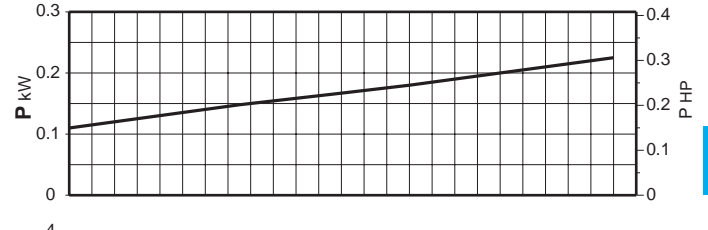
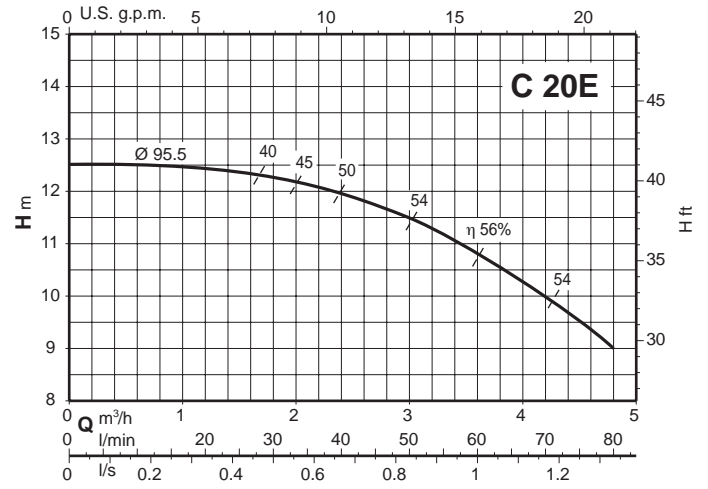
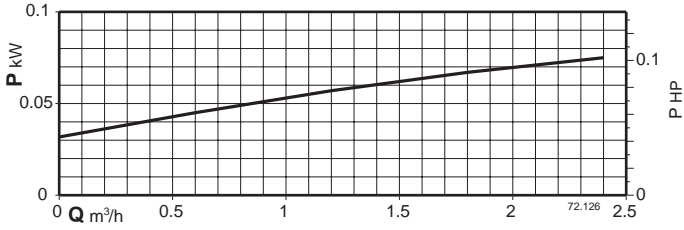
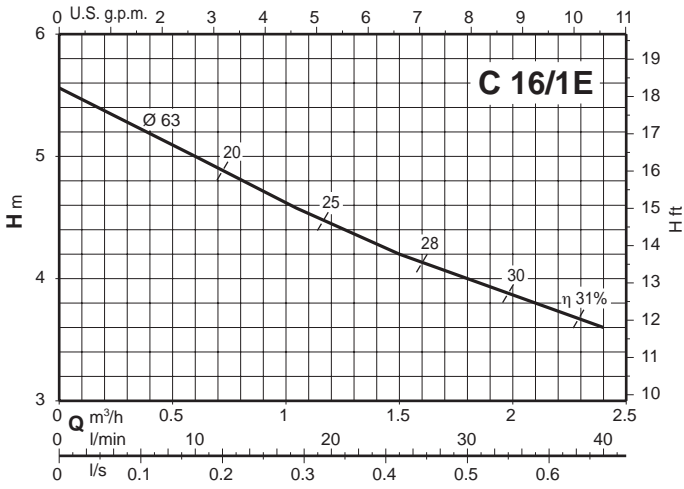


TYPE	DN ₁	DN ₂	mm																	kg					
			ISO 228	a	f	h1	h2	h3	h4	m1	m2	n1	n2	b	s	l1	l2	l3	w	g	C	CM	B-C	B-CM	
- B-C 20E	G 1	G 1	35	303	71	90	177	-	106	90	134	112	22	7	70	84	60	105	10	-	-	9,1	9,1		
- B-C 22/1E - B-C 22E	G 1	G 1	35	303	71	110	177	9	106	90	134	112	22	7	81	93	71	106	10	-	-	9,3 9,6	10,3 10,6		
C 4/1E C 4E	-	-	G 1 1/2	G 1 1/2	43	304	71	160	177	18	106	90	134	112	22	7	85	108	78	100	10	10,8 11,8	11,8 12,8	-	-
- B-C 41/1E C 41E - B-C 41E	G 1 1/2	G 1 1/2	43	380	80	160	190	9	125	100	155	125	30	9,5	85	108	78	132	10	-	-	16,3 18,5	17,9 20,1		



Centrifugal Pumps with open impeller

Characteristic curves $n \approx 2900$ rpm





Centrifugal Pumps with open impeller

Characteristic curves $n \approx 2900$ rpm

