

**INTEROBIZ**

[www.interobiz.ro](http://www.interobiz.ro)



### Construction

Pump casing with suction and delivery connections with the same diameter and on the same axis (in-line).

#### Materials:

Pump casing	Cast iron
Impeller	Stainless steel
Shaft	Stainless steel

### Applications

For clean liquids, without abrasives, which are non-aggressive for the pump materials (contents of solids up to 0.2%).

For heating, conditioning, cooling and circulation plants.

For civil and industrial applications.

When low noise operation is required.

### Operating conditions

Liquid temperature from -10 °C to +120 °C (in short-time duty up to + 140 °C).

Ambient temperature up to 40 °C.

Maximum glycol quantity: 50% (Mixture with more than 20% glycol content require rechecking of the pumping data).

Maximum permissible working pressure 6/10 bar.

type	Minimum suction pressure: bar		
	Temperature		
	50°C	80°C	110°C
NCD 40	0,05	0,8	1,4
NCD 50	0,3	1	1,6
NCD 65	0,3	1	1,6
NCD 80	0,3	1	1,6

### Motor

2-4-pole induction motor, 50 Hz.

Three adjustable speeds.

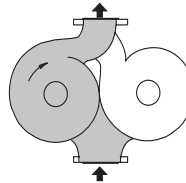
**NCD:** three-phase 230V or 400 V.

**NCDM:** single-phase 230 V.

Insulation class H.

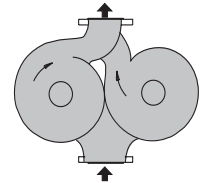
Protection IP 43.

### Operation



#### Single operation

Operation of a single pump choosed by the customer, with the second pump on stand-by



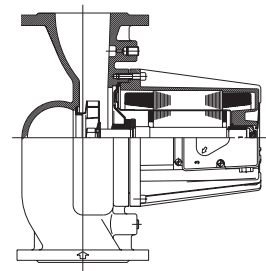
#### Double operation

Operation in parallel of the two pumps

### Installation



### Cross section drawings

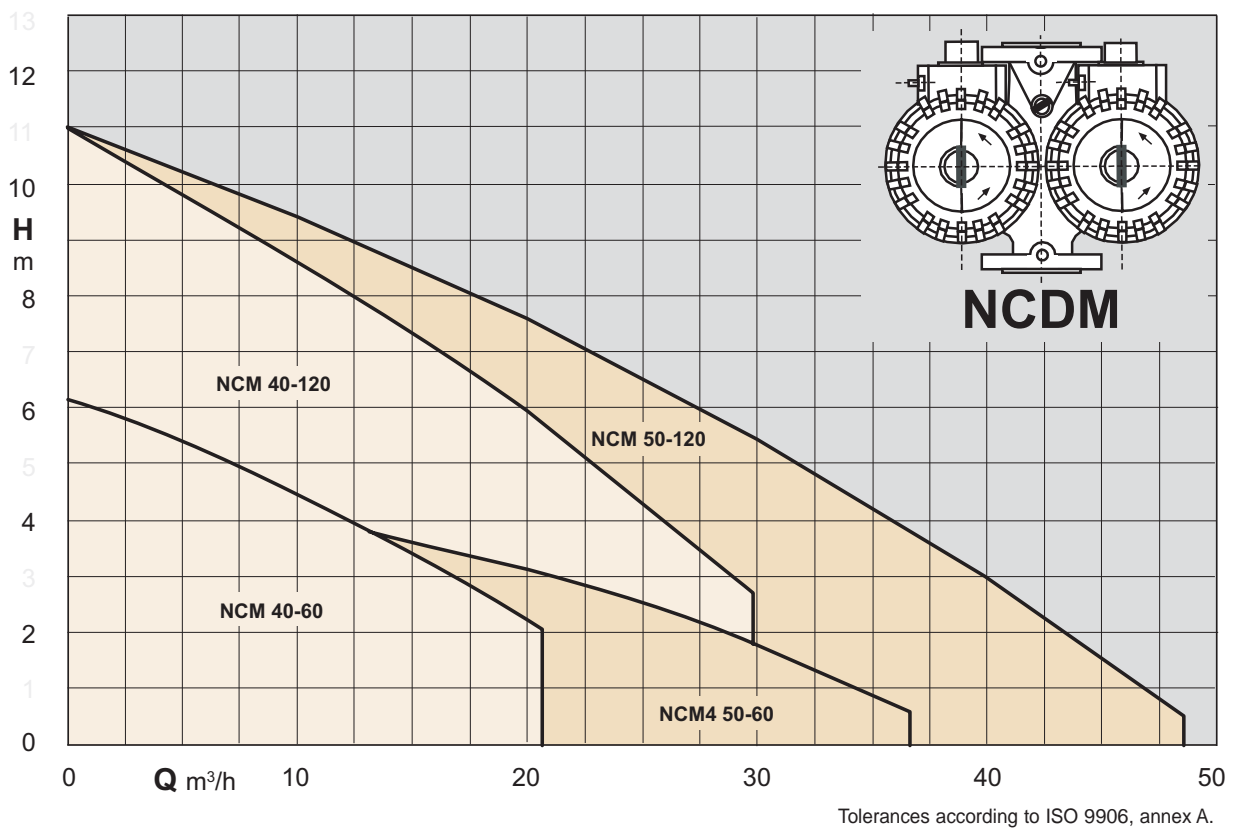
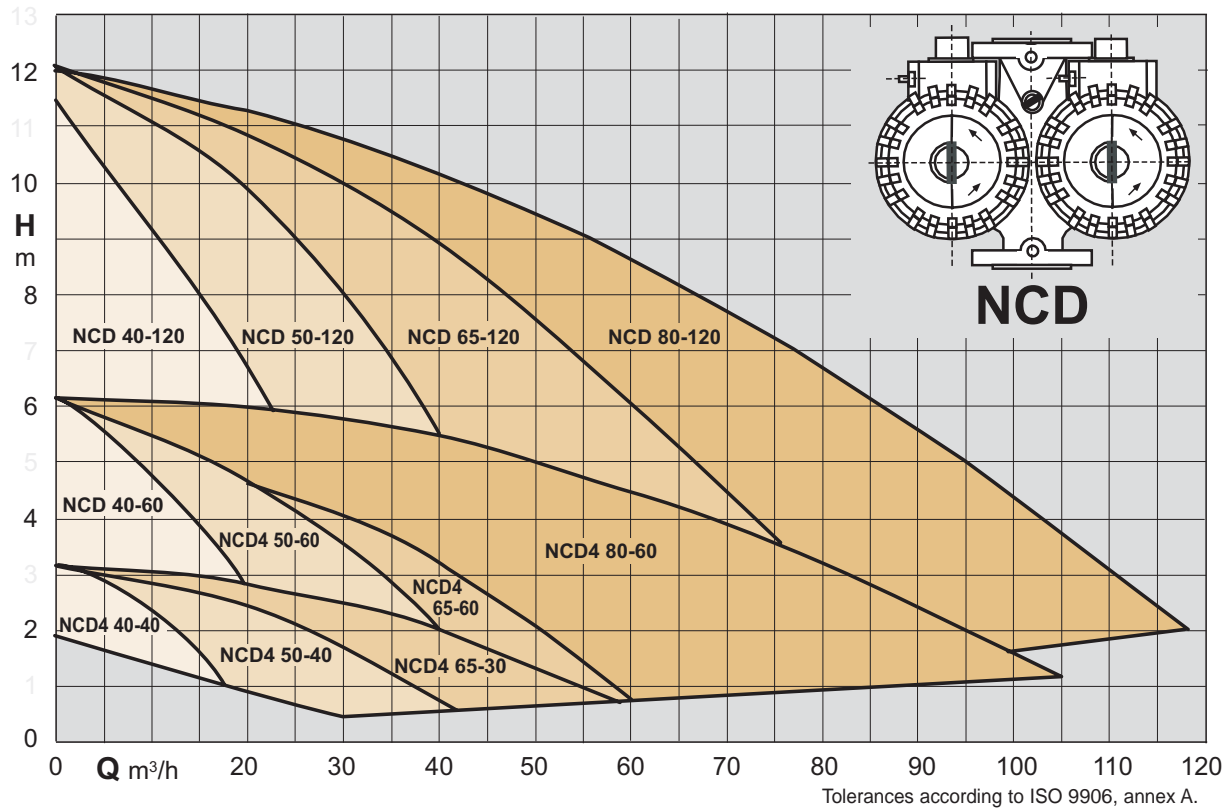


### Designation

NC D (M) 4 40 - 60 / 250

Series	_____
Twin pumps version	_____
Single-phase motor	_____
4-pole motor	_____
DN ports in mm	_____
Max. head in dm	_____
connection size mm	_____

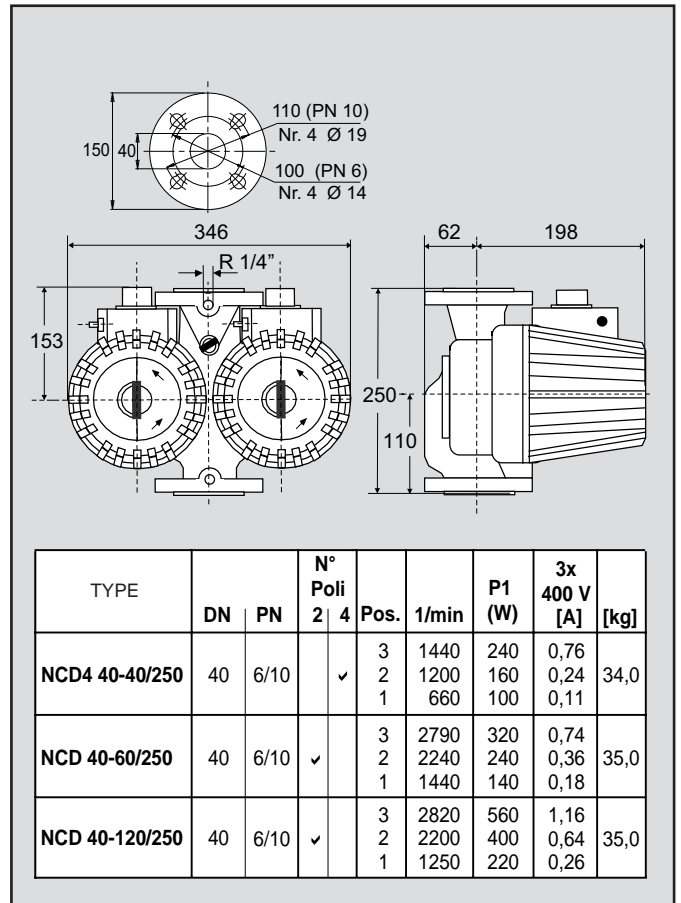
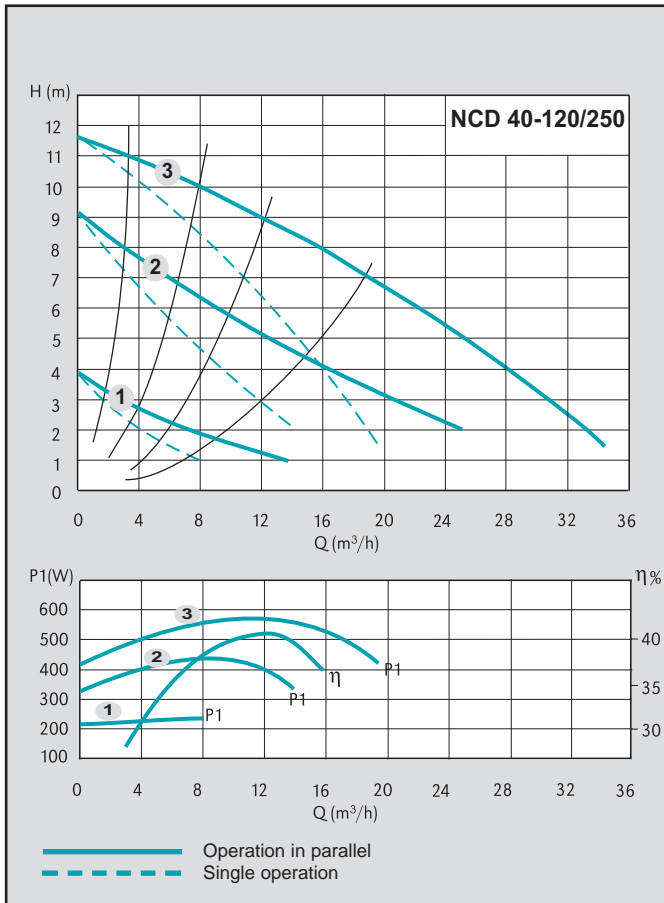
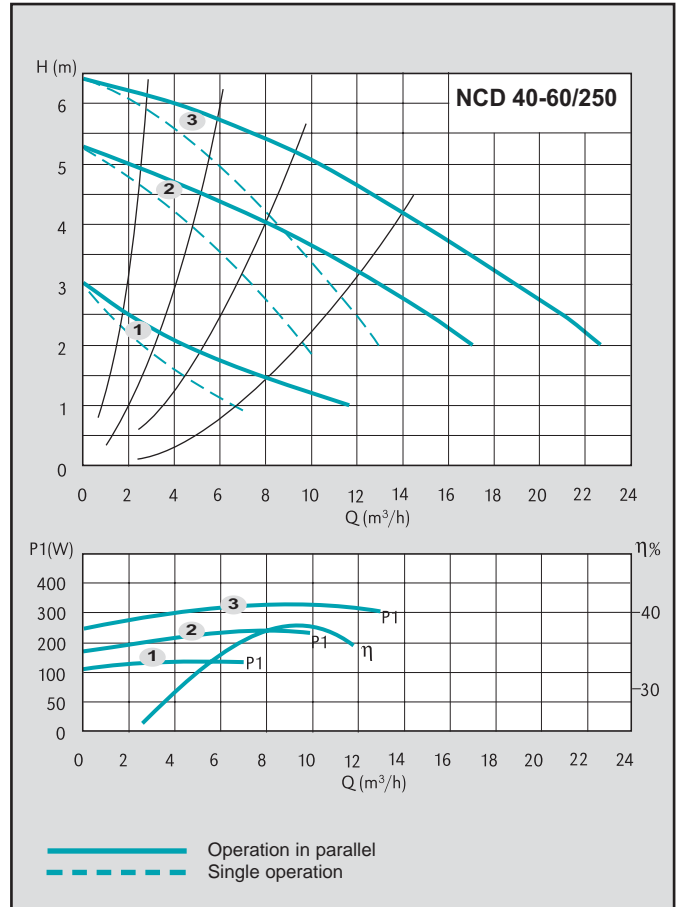
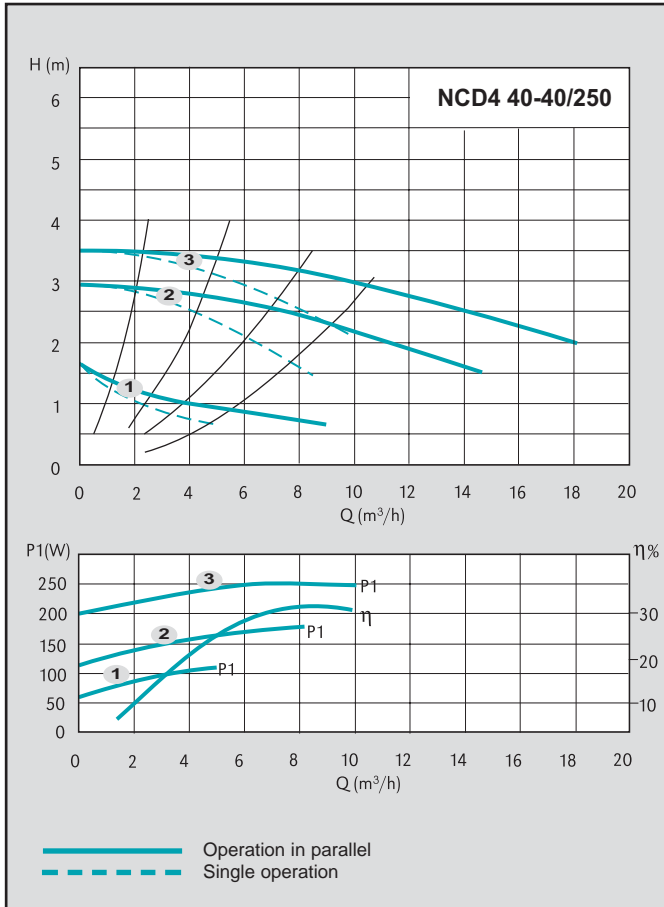
### Coverage chart



# NCD 40

## Three speeds circulating twin pumps with flanges

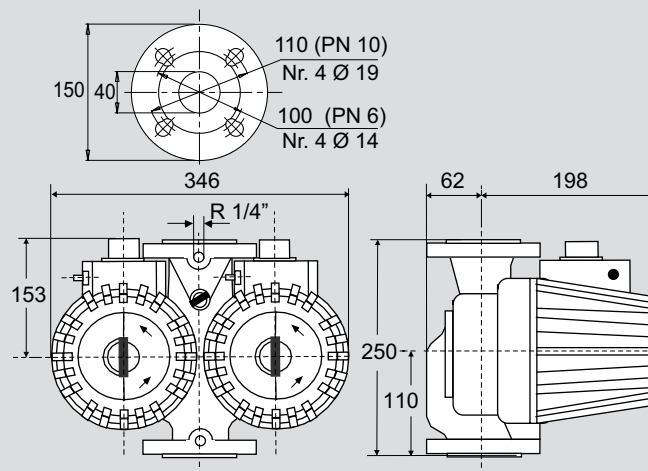
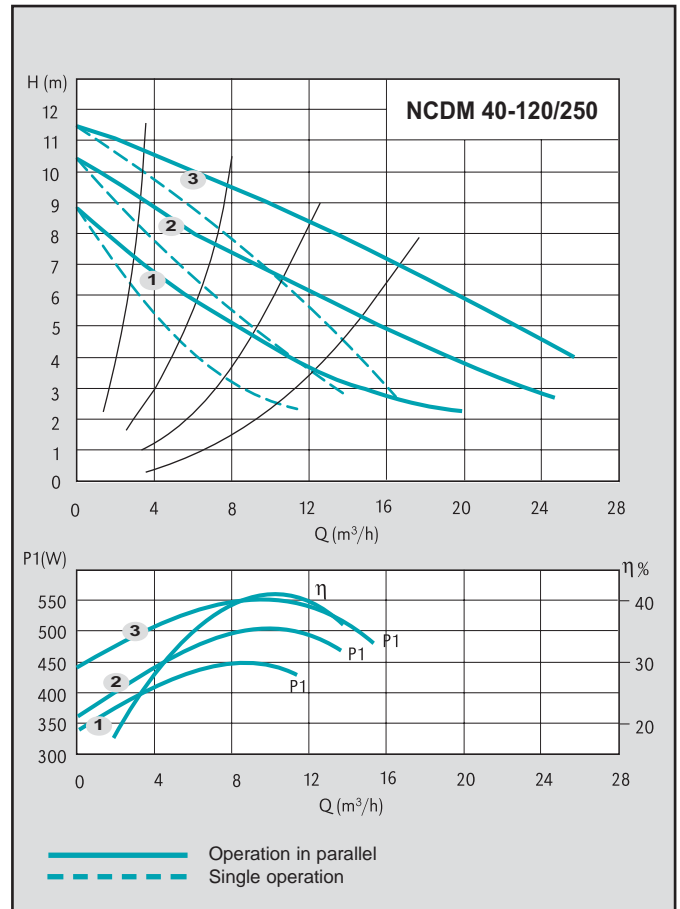
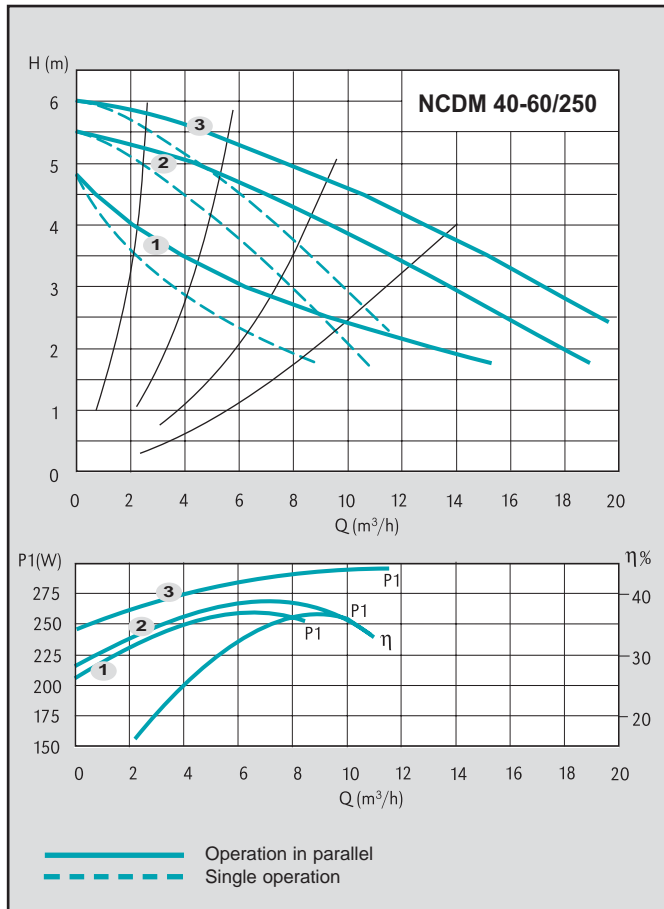
### Characteristic curves, dimensions and weights



# NCDM 40

## Three speeds circulating twin pumps with flanges

### Characteristic curves, dimensions and weights

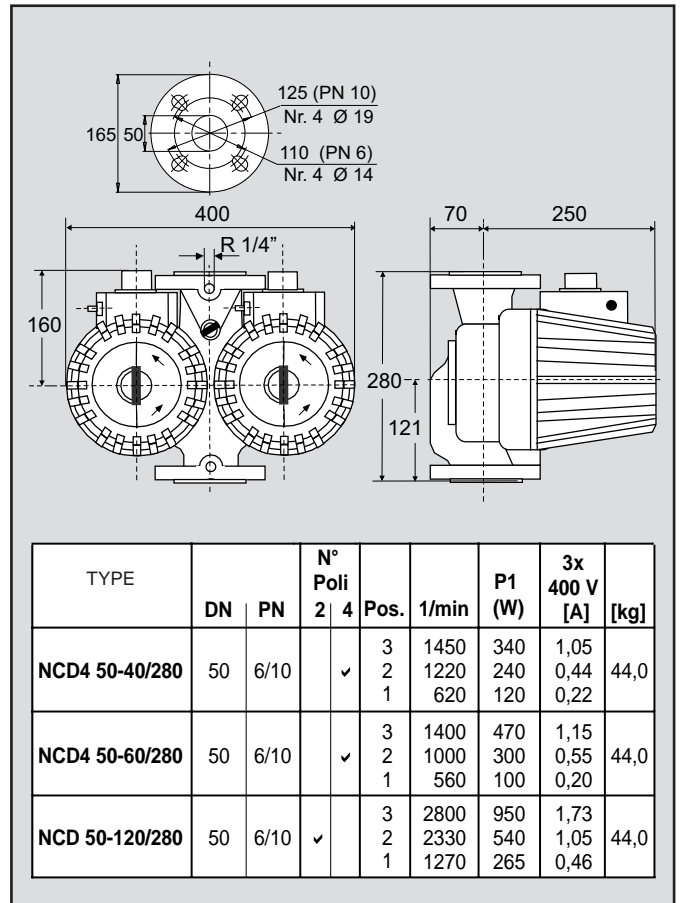
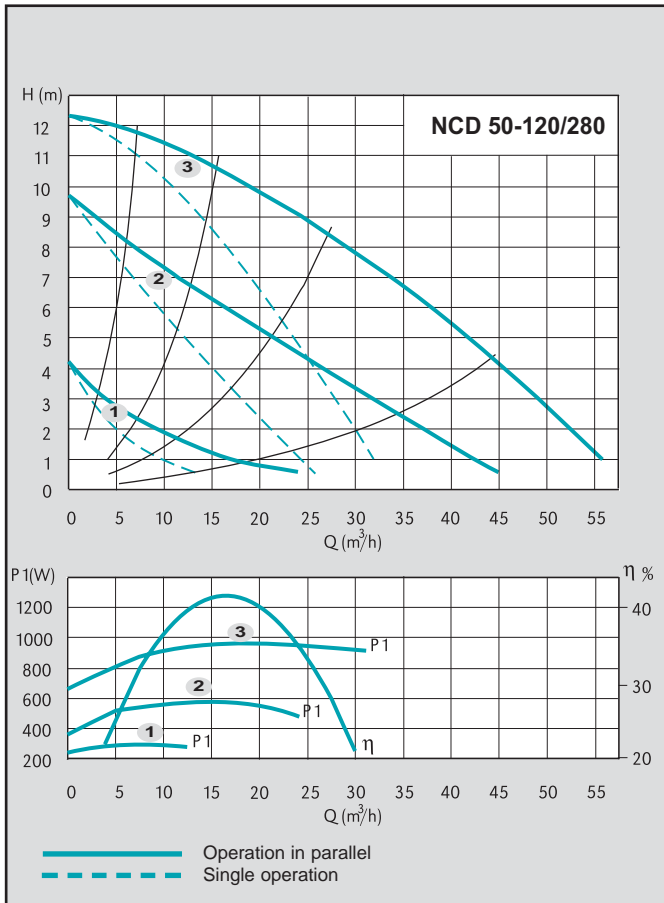
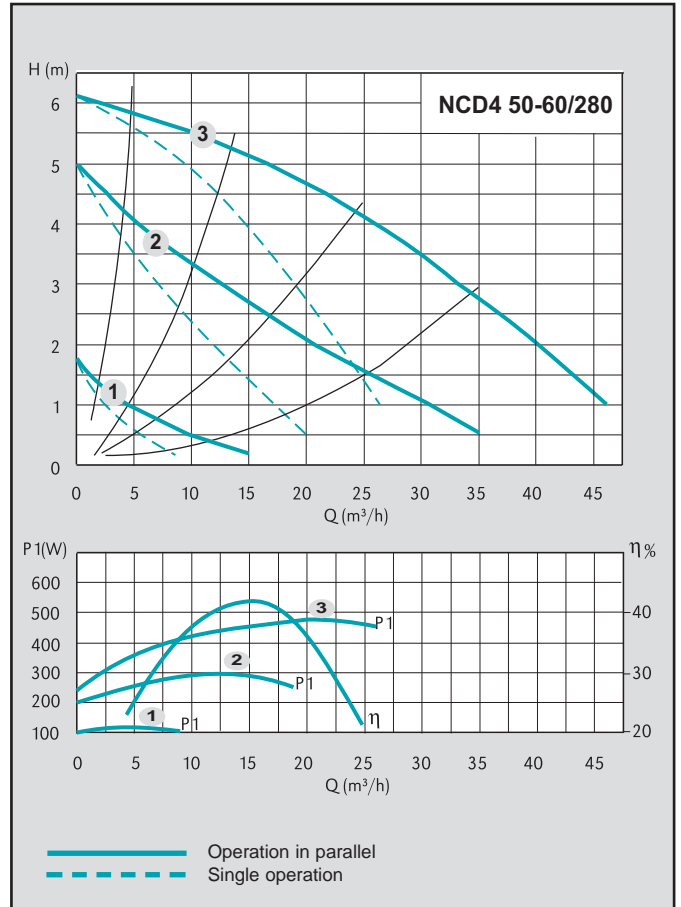
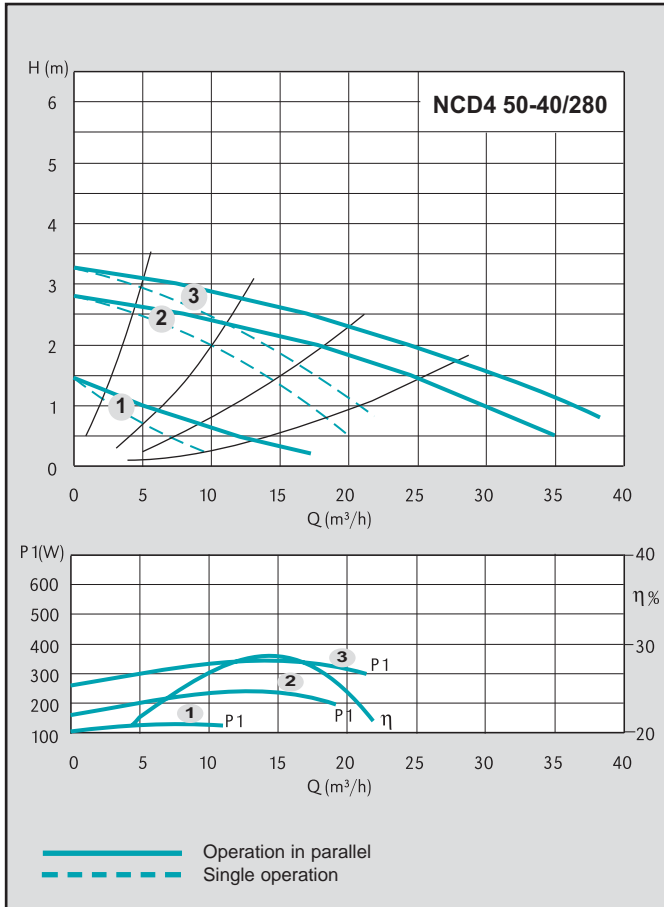


TYPE	DN	PN	N° Poli		1/min	P1 (W)	1x 230 V		
			2	4			Pos.	[A]	[kg]
<b>NCDM 40-60/250</b>	40	6/10	✓		3	2690	285	1,20	35,0
					2	2360	245	1,18	
					1	1820	225	1,15	
<b>NCDM 40-120/250</b>	40	6/10	✓		3	2755	550	2,35	35,0
					2	2100	475	2,30	
					1	1270	355	1,85	

# NCD 50

## Three speeds circulating twin pumps with flanges

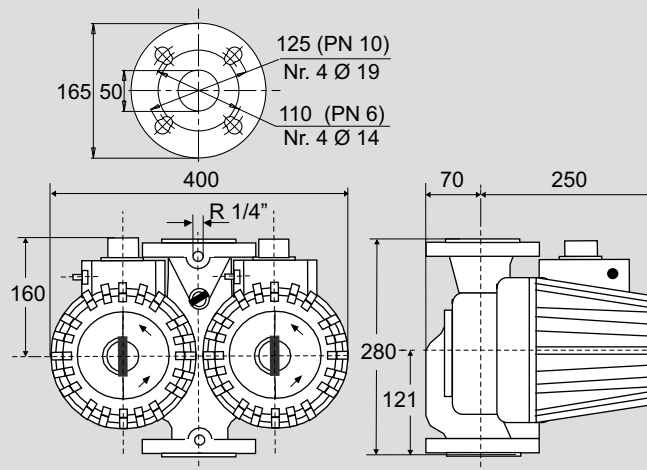
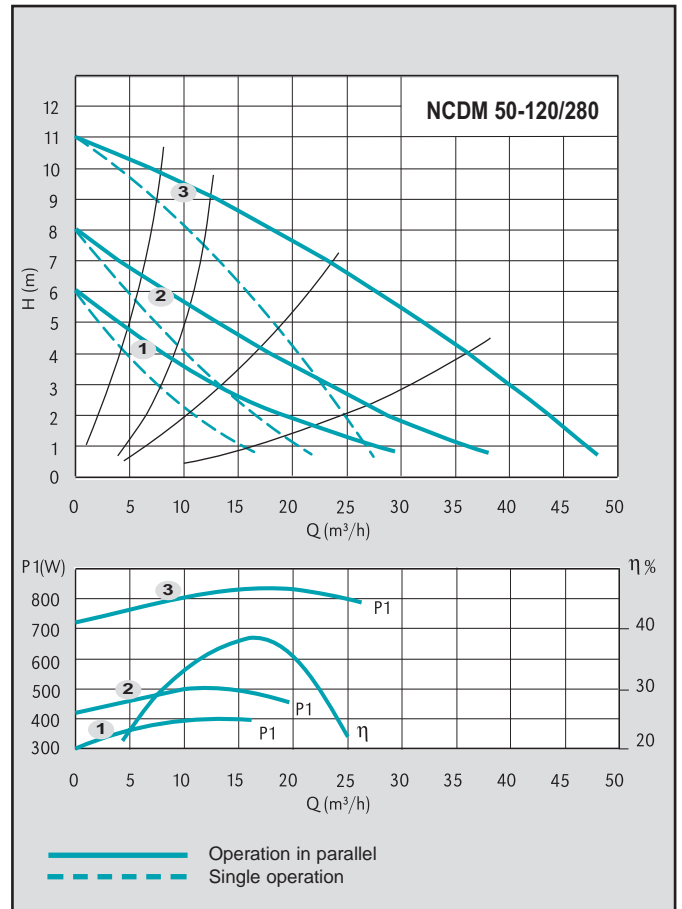
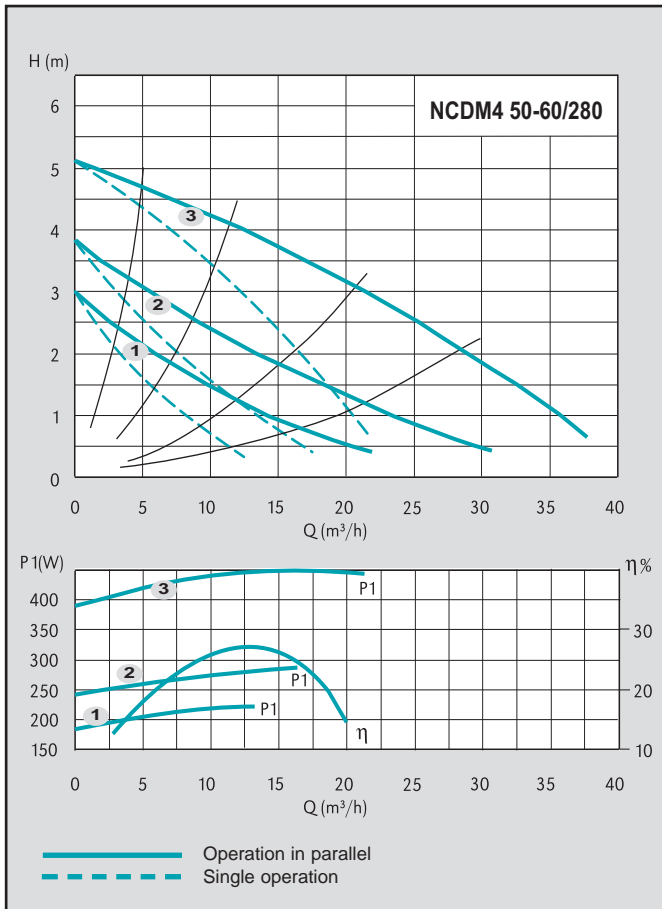
### Characteristic curves, dimensions and weights



# NCDM 50

## Three speeds circulating twin pumps with flanges

### Characteristic curves, dimensions and weights



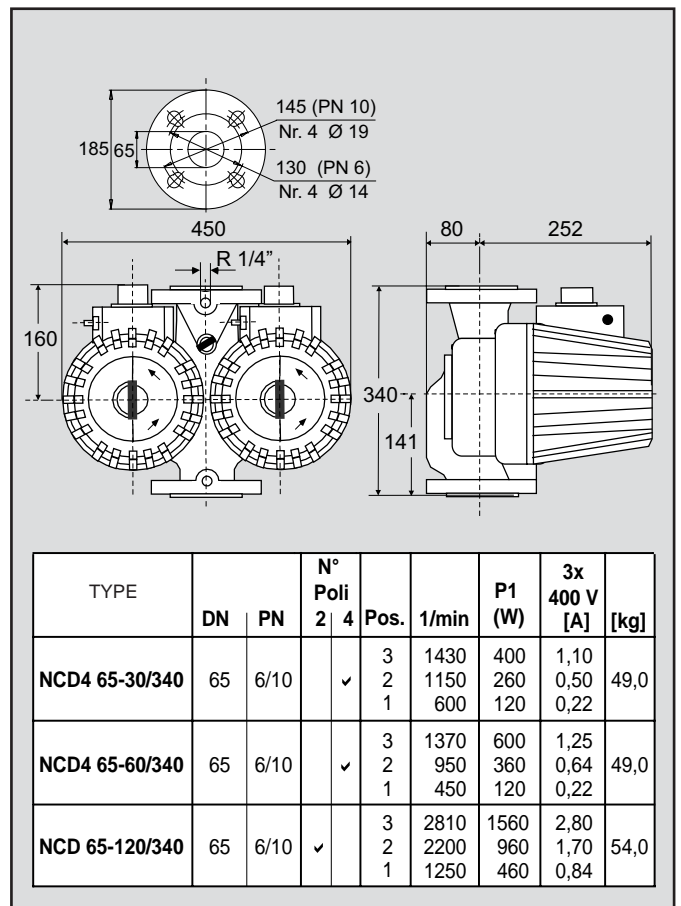
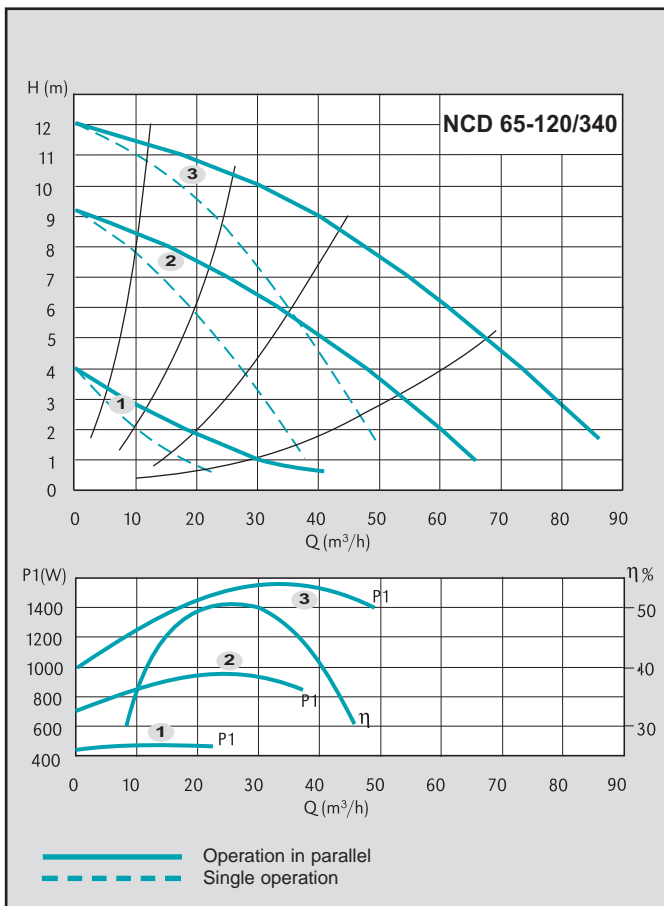
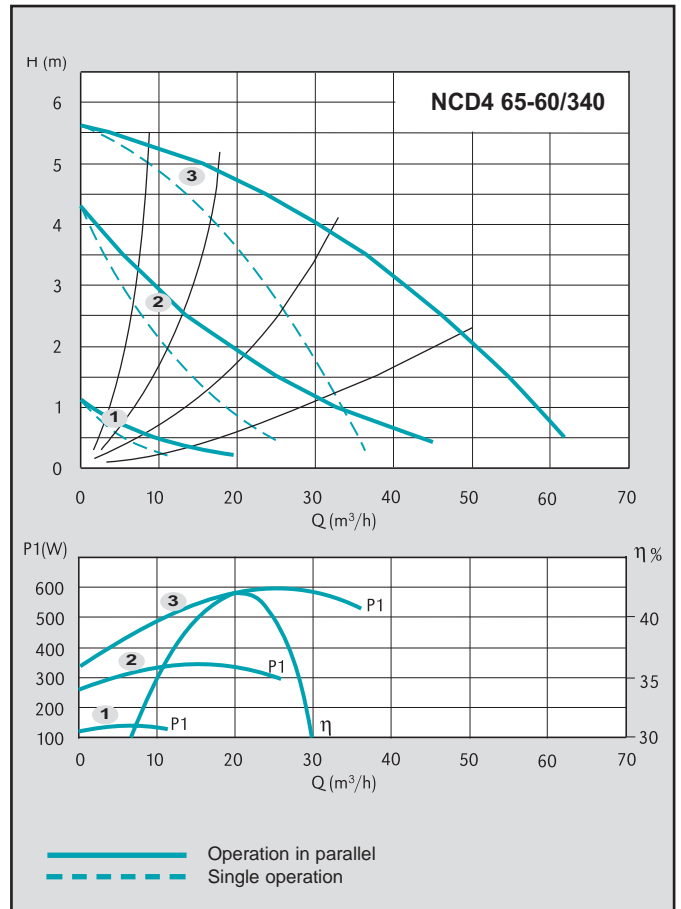
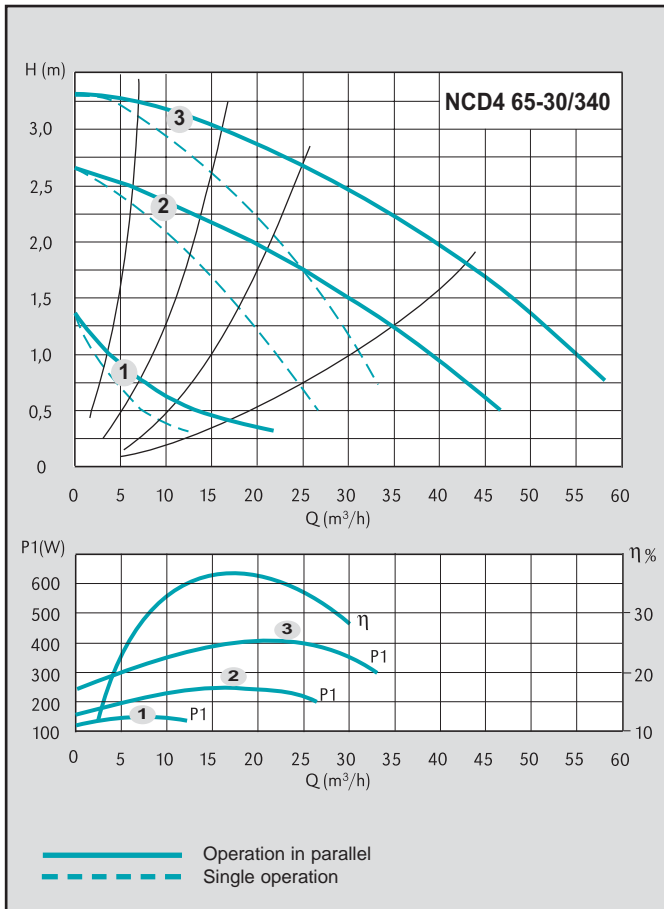
TYPE	DN   PN		N° Poli 2   4	Pos.	1/min	P1 (W)	1x 230 V [A]	[kg]
	50	6/10						
<b>NCDM4 50-60/280</b>			✓	3	1260	415	1,8	44,0
				2	1030	300	1,3	
				1	740	230	1,0	
<b>NCDM 50-120/280</b>			✓	3	2720	830	3,6	44,0
				2	1870	480	2,1	
				1	1450	390	1,7	



# NCD 65

## Three speeds circulating twin pumps with flanges

### Characteristic curves, dimensions and weights

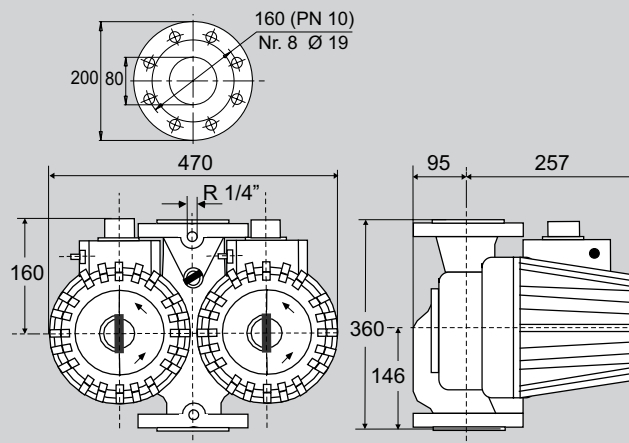
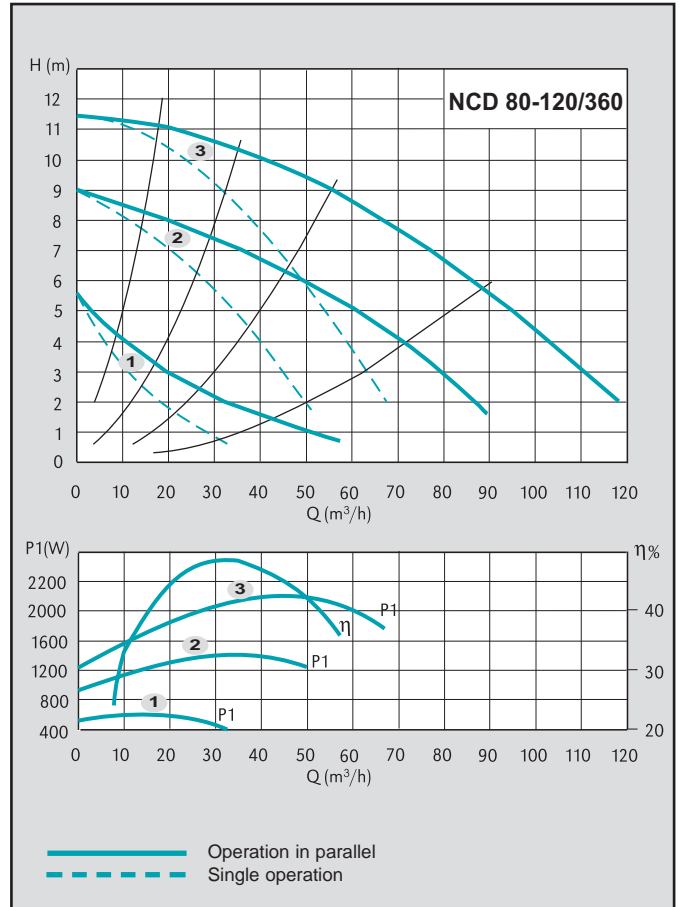
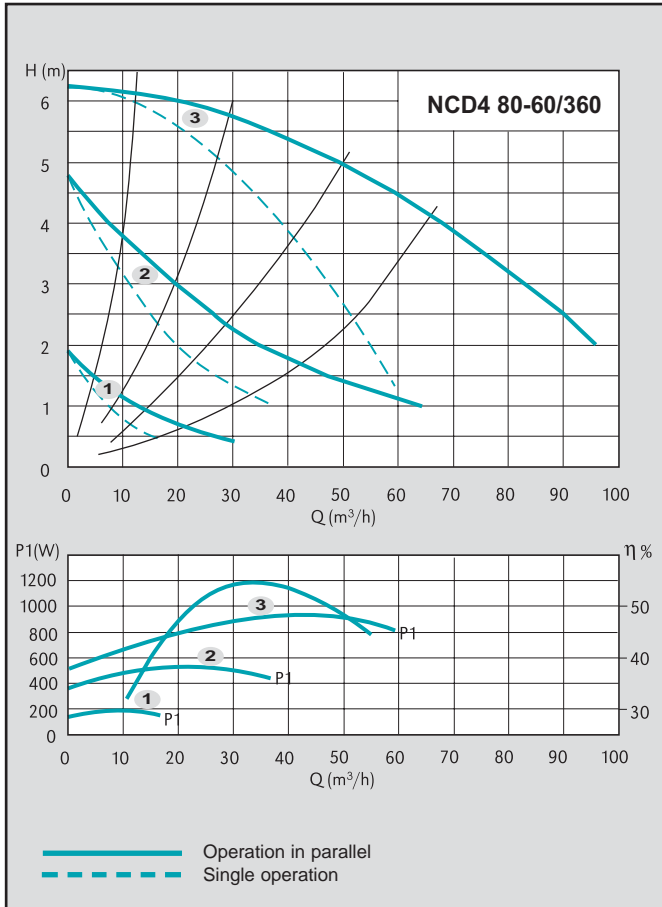




# NCD 80

## Three speeds circulating twin pumps with flanges

### Characteristic curves, dimensions and weights



TYPE	DN	PN	N° Poli		Pos.	1/min	P1 (W)	3x 400 V	
			2	4				[A]	[kg]
<b>NCD4 80-60/360</b>	80	10	✓	3	1350	960	2,20	60,0	
				2	1000	560	1,10		
				1	600	200	0,38		
<b>NCD 80-120/360</b>	80	10	✓	3	2800	2200	3,80	62,0	
				2	2160	1400	2,40		
				1	1200	550	1,05		