

**INTEROBIZ**

[www.interobiz.ro](http://www.interobiz.ro)



### Construction

Self-draining, single-impeller pumps, with motor insulated from pumped water, constructed with high quality, corrosion-proof plastic materials, with stainless steel diffuser. Compact design (158 mm wide).

#### PVC pipe connections:

Ports for cementing joint, with external thread for union coupling.

### Applications

For spas, hydromassage bathtubs and whirlpool baths.

### Operating conditions

Water temperature up to 60 °C.

Room temperature up to 40 °C.

Maximum permissible pressure in the pump casing: 2,5 bar.

Continuous duty.

### Motor

2-pole induction motor, 50 Hz (n = 2800 1/min).

**SPA:** three-phase 230/400 V ± 10%.

**SPAM:** single-phase 230 V ± 10%, with thermal protector. Capacitor inside the terminal box.

Insulation class F.

Protection IP X5.

Constructed in accordance with: EN 60335-2-41, IEC 60335-2-41; EN 60335-2-60, IEC 60335-2-60.

**Patents:** EP 0 460 597  
US 5 226 790

### Certification marks for SPAM

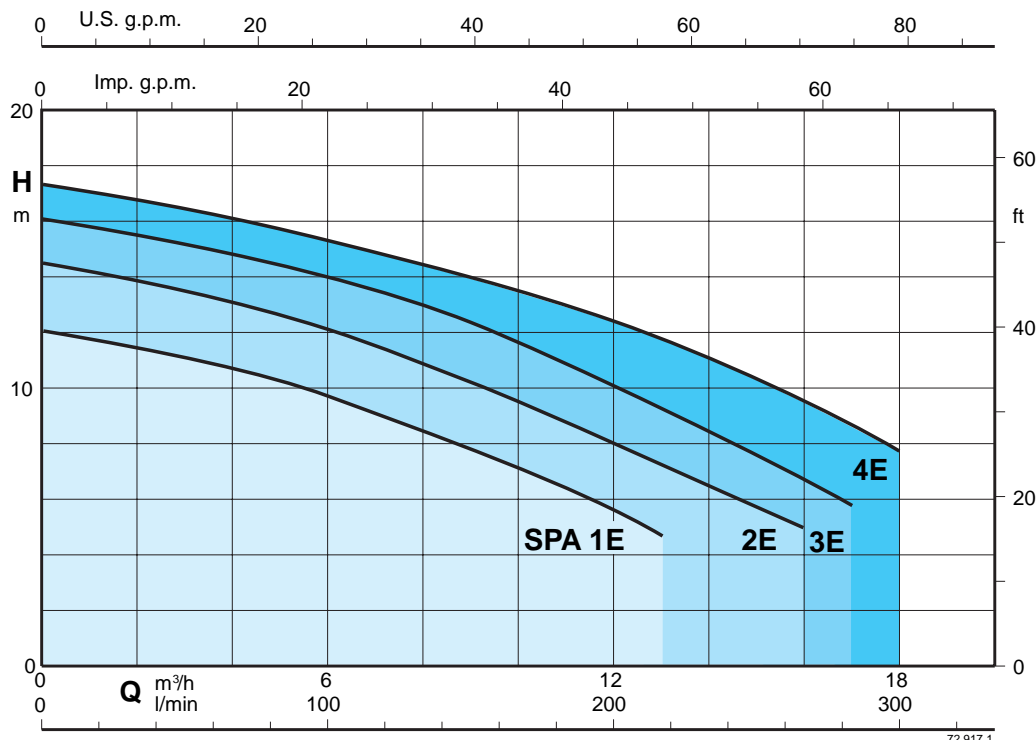


### Materials

| Component                       | Material   |
|---------------------------------|--|
| Pump casing<br>Union coupling   | ABS (Acrylonitrile-Butadiene-Styrene)                  |
| Diffuser cover<br>Impeller      | Glass reinforced thermoplastic: PPO-GF30, NORYL*       |
| Diffuser-wall<br>with wear-ring | Cr-Ni-Mo stainless steel<br>1.4401 EN 10088 (AISI 316) |
| Mechanical seal                 | Ceramic alumina, Carbon, FPM                           |

\* Trademark of General Electric

### Coverage chart $n \approx 2800$ rpm



### Performance $n \approx 2800$ rpm

| 3~     | 230 V 400 V |     | 1~      | 230 V |      | P <sub>1</sub> |      | P <sub>2</sub>    |   | Q    |      |      |      |      |      |     |     |     |  |
|--------|-------------|-----|---------|-------|------|----------------|------|-------------------|---|------|------|------|------|------|------|-----|-----|-----|--|
|        | A           | A   |         | A     | kW   | kW             | HP   | m <sup>3</sup> /h | 0 |      | 3    | 6    | 9    | 12   | 13   | 16  | 17  | 18  |  |
| SPA 1E | 2,8         | 1,6 | SPAM 1E | 3,3   | 0,73 | 0,45           | 0,6  | H                 | m | 12   | 11,1 | 9,7  | 7,8  | 5,6  | 4,7  |     |     |     |  |
| SPA 2E | 3           | 1,7 | SPAM 2E | 4,5   | 1    | 0,55           | 0,75 |                   |   | 14,5 | 13,4 | 12,1 | 10,2 | 7,9  | 7,2  | 5   |     |     |  |
| SPA 3E | 3,7         | 2,2 | SPAM 3E | 5,4   | 1,2  | 0,75           | 1    |                   |   | 16,1 | 15,2 | 13,9 | 12,4 | 10,2 | 9,3  | 6,8 | 5,8 |     |  |
| SPA 4E | 5           | 2,9 | SPAM 4E | 7     | 1,6  | 1,1            | 1,5  |                   |   | 17,3 | 16,5 | 15,3 | 14   | 12,4 | 11,8 | 9,5 | 8,6 | 7,7 |  |

P<sub>1</sub> Max. power input.

P<sub>2</sub> Rated motor power output.

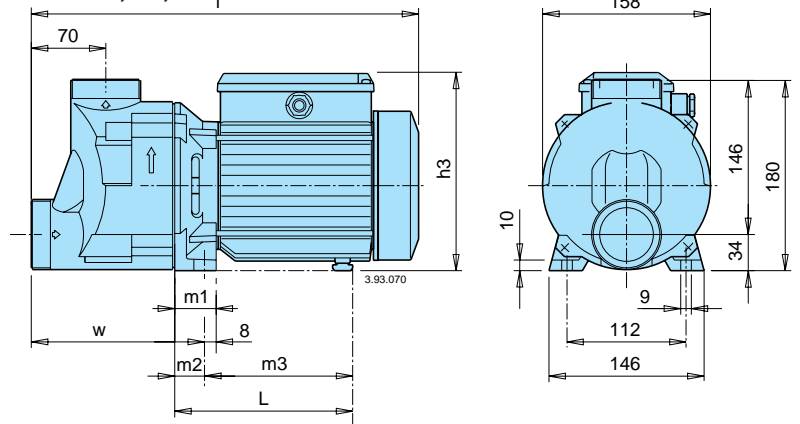
H Total head in m.

Tolerances according to ISO 9906, annex A.

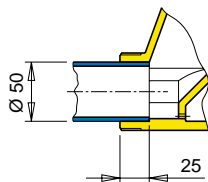
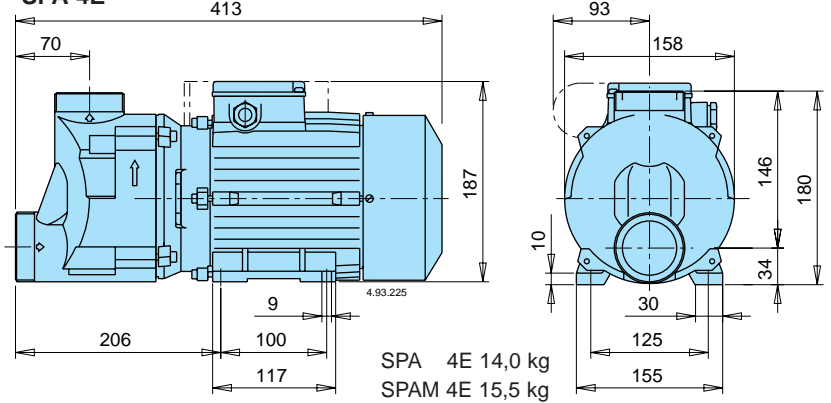
### Dimensions and weights

| TYPE   | mm  |     |     |    |    |     |     | kg  |      |
|--------|-----|-----|-----|----|----|-----|-----|-----|------|
|        | f   | L   | h3  | m1 | m2 | m3  | w   | SPA | SPAM |
| SPA 1E | 333 | 148 | 176 | 34 | 26 | 122 | 161 | 6,7 | 6,8  |
| SPA 2E | 365 | 167 | 185 | 39 | 31 | 136 | 166 | 8   | 9    |
| SPA 3E | 365 | 167 | 185 | 39 | 31 | 136 | 166 | 9   | 10   |

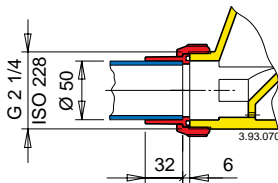
SPA 1E, 2E, 3E f



SPA 4E

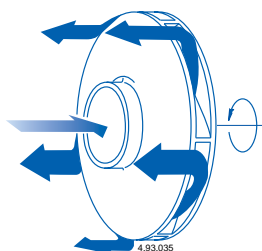


Cemented joint.



Threaded union coupling.

Diffuser with peripheral-longitudinal flow, of stainless steel for **extra reliability**.



Mechanical seal without contact with the shaft, for **extra safety**.

