

**INTEROBIZ**

[www.interobiz.ro](http://www.interobiz.ro)

# GMC, GMV Submersible Sewage and Drainage Pumps



## Construction

Close coupled electric submersible pumps.

**GMC:** with single-channel impeller.

**GMV:** with free-flow (vortex) impeller.

Double mechanical shaft seal with interposed oil chamber, to protect against dry-running.

## Applications

For domestic or industrial waste water, dirty water with solids up to 45 mm grain size, for liquids which are compatible with the pump materials.

## Operating conditions

Liquid temperature up to 35 °C.

pH value: 6-11.

Maximum immersion depth: 10 m (with suitable cable length).

Continuous duty (with submerged motor).

## Motor

2-pole induction, 50 Hz (n = 2900 rpm).

**GMC, GMV:** three-phase 230 V ± 10%;  
three-phase 400 V ± 10%;  
2 built-in thermal protectors to be connected to a control box.

Cable: 4G1,5 mm<sup>2</sup>+ 2x0,5 mm<sup>2</sup>, length 10 m.

**GMC, GMV:** single-phase 230 V ± 10%.

With float switch, built-in thermal protector and built-in capacitor.

Cable: H07RN8-F, 3G1,5 mm<sup>2</sup>, length 10 m, with plug (CEI - UNEL 47166).

Insulation class F. Protection IP X8.

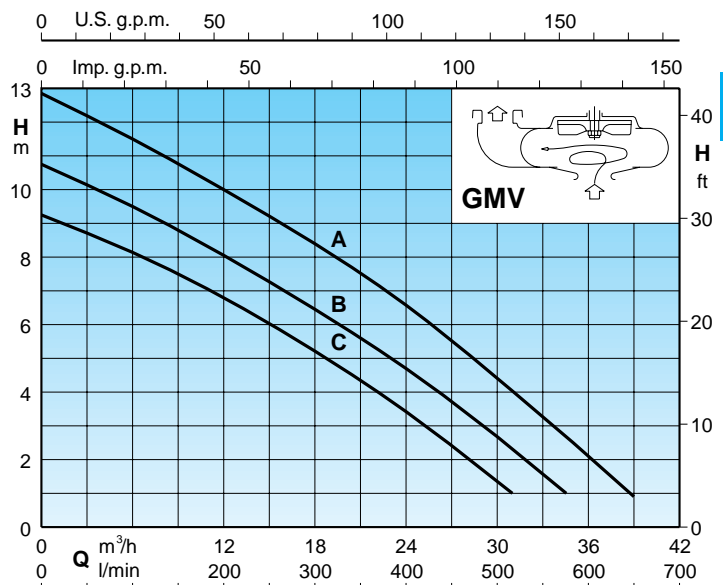
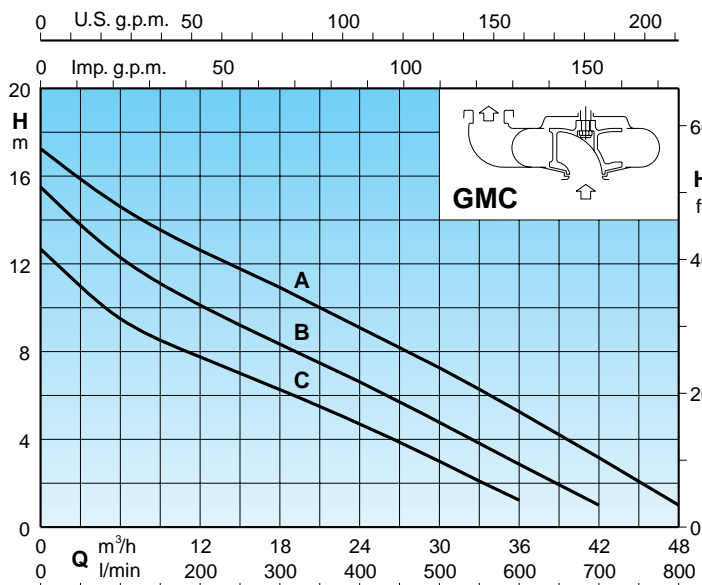
Triple impregnation, humidity-proof winding.

Constructed in accordance with: EN 60335-2-41.

## Materials

Component	Material
Pump casing	Cast iron GJL 200 EN 1561
Casing cover	
Impeller	
Motor housing	
Motor cover	
Shaft	Chrome steel 1.4016 EN 10088 (AISI 430)
Mechanical seal: Upper	Carbon, ceramic, NBR
Lower	
Seal lubrication oil	Oil for food machinery and pharmaceutical use

## Characteristic curves n ≈ 2900 rpm



### Performance $n \approx 2900$ rpm

3~	230 V 400 V		1~	230 V	P1	P2		Q	H m									
	A	A				A	kW		kW	HP	m <sup>3</sup> /h	6	12	18	24	30	36	42
									l/min	100	200	300	400	500	600	700	800	
<b>GMC 50CE</b>	3,3	1,9	<b>GMCM 50CE</b>	4,5	1,1	0,75	1	<b>H m</b>		9,5	8	6,5	5	3	1			
<b>GMC 50BE</b>	4,8	2,7	<b>GMCM 50BE</b>	6,5	1,5	1,1	1,5			12,5	10	8,5	6,5	5	3	1		
<b>GMC 50AE</b>	6,6	3,8					2			14,5	12,5	11	9	7,5	5,5	3	1	

3~	230 V 400 V		1~	230 V	P1	P2		Q	H m									
	A	A				A	kW		kW	HP	m <sup>3</sup> /h	6	12	18	24	30	31	35
									l/min	100	200	300	400	500	516	583	650	
<b>GMV 50CE</b>	3,3	1,9	<b>GMVM 50CE</b>	4,5	1,1	0,75	1	<b>H m</b>		8	7	5	3,5	1,5	1			
<b>GMV 50BE</b>	4,8	2,7	<b>GMVM 50BE</b>	6,5	1,5	1,1	1,5			9,5	8	6,5	4,5	2,5	2,3	1		
<b>GMV 50AE</b>	6,6	3,8					2			11,5	10	8,5	6,5	4,3	4	2,5	1	

P1 Max. power input.

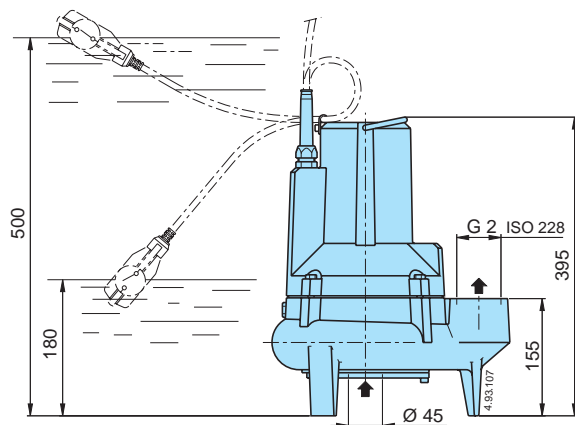
H Total head in m.

Density  $\rho = 1000$  kg/m<sup>3</sup>.

Kinematic viscosity  $\nu = \max 20$  mm<sup>2</sup>/sec.

P2 Rated motor power output.

### Dimensions and weights



	kg
<b>GMC 50CE</b>	28
<b>GMC 50BE</b>	29
<b>GMC 50AE</b>	30,5
<b>GMCM 50CE</b>	28
<b>GMCM 50BE</b>	29,5

	kg
<b>GMV 50CE</b>	27
<b>GMV 50BE</b>	28
<b>GMV 50AE</b>	29,5
<b>GMVM 50CE</b>	27
<b>GMVM 50BE</b>	28,5

