

**INTEROBIZ**

[www.interobiz.ro](http://www.interobiz.ro)



### Construction

Submersible motor pumps for deep wells of 6" (DN 150 mm), 8" (DN 200 mm) and 10" (DN 250 mm), with stages in cast iron or in bronze, on request.

**Impellers:** - mixed flow impellers.

**Connection:** - screwed connection ISO 228 for 6SDS;  
- flange with counter-flange for welding for 8SDS and 10SDS

Delivery casing with built-in non-return valve.

### Applications

For water supply.  
For civil and industrial applications.  
For fire fighting applications.  
For irrigation.

### Operating conditions

Liquid temperature up to a 25 °C.  
Max. sand quantity into the water: 100 g/m<sup>3</sup>.  
Continuous duty.

### 6", 8", 10" rewindable motor CS series

2-pole induction motor, 50 Hz (n = 2900 rpm).  
With water wetted winding in rewindable execution.  
Sized for connection to the pumps according to NEMA Standards.  
Standard voltages:  
- three-phase 400 V; 400/690 V.  
Voltage tolerance : +6% / -10%.  
Recommended type of starting for powers from 7.5 kW:  
star/delta, soft start, impedance starting, autotransformer.

| Motor                           | 6"      | 8"      | 10"     |
|---------------------------------|---------|---------|---------|
| Max. Liquid temperature         | 25 °C   | 25 °C   | 25 °C   |
| Max. starts per hour            | 15      | 15      | 10      |
| Cooling : minimum flow velocity | 16 cm/s | 20 cm/s | 20 cm/s |

Insulation PVC coated wire for 6-8-10" motors.  
Protection IP 68.

| Cable | Motor 400V 50 Hz | Section                    | Length |
|-------|------------------|----------------------------|--------|
| 6CS   | 4 ÷ 22 kW        | 3 + 1 x 4 mm <sup>2</sup>  | 3,5 m  |
| 6CS   | 26 ÷ 30 kW       | 3 + 1 x 6 mm <sup>2</sup>  | 3,5 m  |
| 8CS   | 37 - 45 kW       | 3 + 1 x 10 mm <sup>2</sup> | 4 m    |
| 8CS   | 51 ÷ 59 kW       | 3 + 1 x 16 mm <sup>2</sup> | 4 m    |
| 8CS   | 66 - 75 kW       | 3 + 1 x 25 mm <sup>2</sup> | 4 m    |
| 8CS   | 92 kW            | 3 + 1 x 35 mm <sup>2</sup> | 4 m    |
| 10CS  | 110-132 kW       | 3 + 1 x 50 mm <sup>2</sup> | 4 m    |
| 10CS  | 150-165 kW       | 3 + 1 x 70 mm <sup>2</sup> | 4 m    |

### Special features on request

- Other voltages.
- 60 Hz frequency.
- Other temperatures.
- Motor FK series.

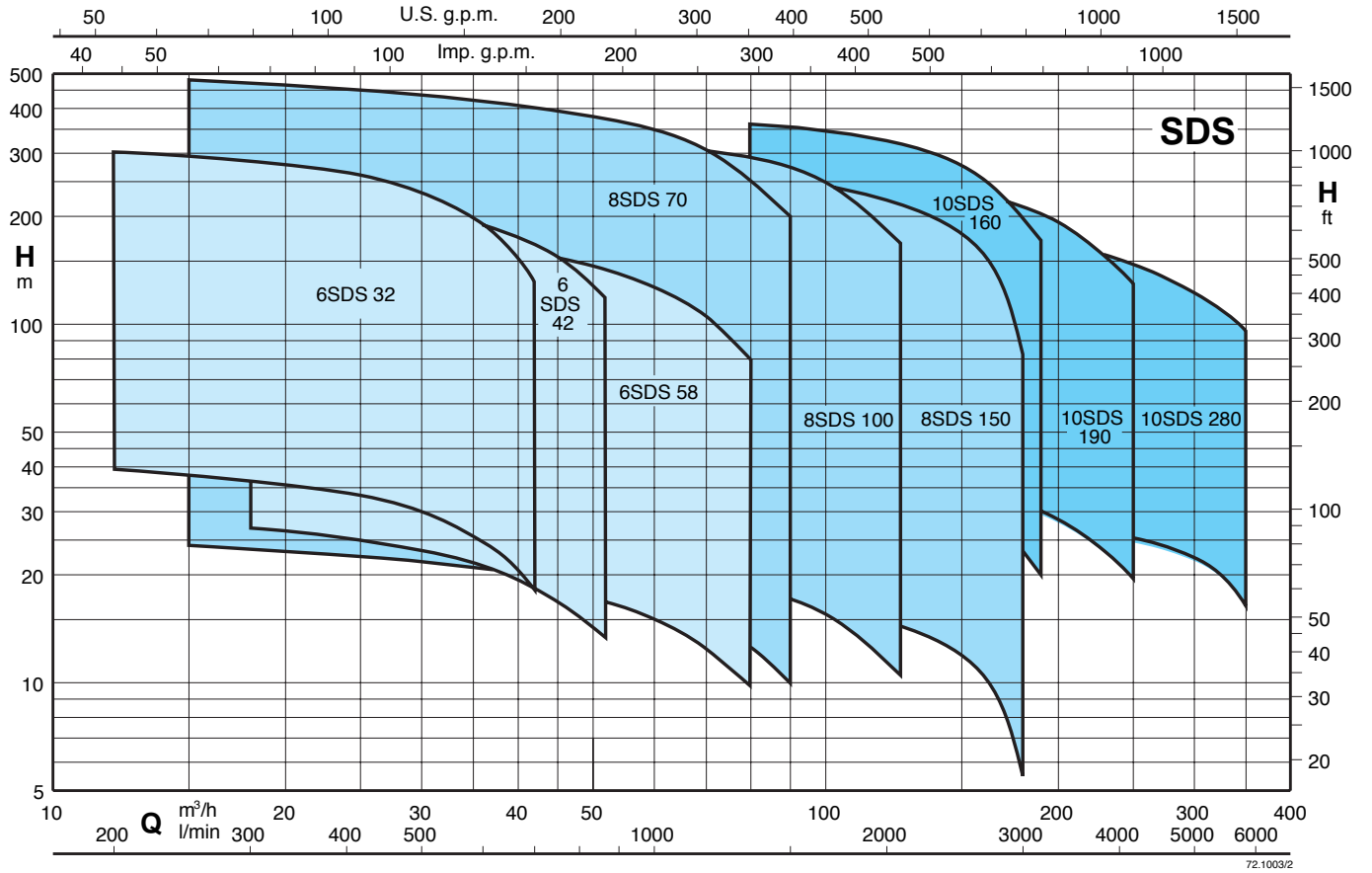
### Designazione

10 B SDS 190 / 6  
 Ø of the well in inches \_\_\_\_\_  
 Bronze construction (on request) \_\_\_\_\_  
 Series \_\_\_\_\_  
 Stage identification \_\_\_\_\_  
 Number of stages \_\_\_\_\_

### Materials

| Components      | Part Nr.    | 6, 8, 10SDS  | B-6, B-8, B-10SDS            |
|-----------------|-------------|--|------------------------------|
| Stage casing    | 25.02       | Cast iron<br>GJL 200 EN 1561                                       | Bronze<br>G-Cu Sn 10 EN 1982 |
| Diffuser        | 26.00       |  |                              |
| Impeller        | 28.00       |  |                              |
| Wear ring       |             | Rubber (Bronze for 10SDS 190-280)                                  |                              |
| Shaft           | 64.00       | 6SDS e 8SDS:<br>Steel AISI F51duplex<br>10SDS<br>Cr steel AISI 420 | Cr-Ni-Mo steel<br>AISI 316   |
| Shaft sleeve    | 64.08       | Brass with chromate surface treatment (only for 10SDS)             |                              |
| Delivery casing | 12.01       | Cast iron  | Bronze                       |
| Suction lantern | 32.02       | GJL 200 EN 1561  | G-Cu Sn 10 EN 1982           |
| Bearing bush    | 12.03-12.30 | Rubber   |                              |
| Strainer        | 15.50       | Cr-Ni steel AISI 304   |                              |
| Screws          |             | Cr-Ni steel AISI 304   |                              |
| External frame  |             | Cr-Ni steel AISI 304 (Fe P01 plate motor 10")                      |                              |
| Shaft           |             | Cr steel AISI 420<br>Hardened and tempered                         | Cr-Ni-Mo steel<br>AISI 316   |
| Thrust bearing  |             | Oscillation pads   |                              |
| Bearing bush    |             | Graphite (Bronze for 8" motor of 51 - 59 - 66 kW)                  |                              |

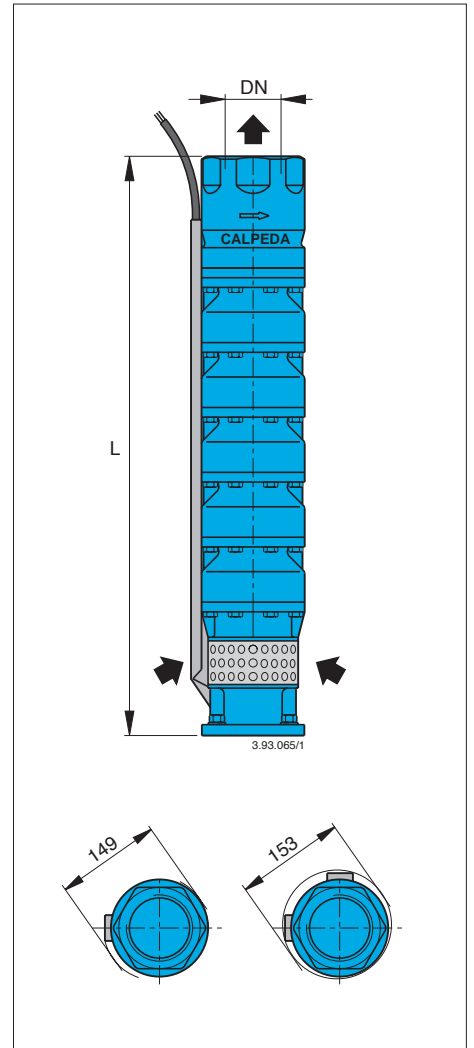
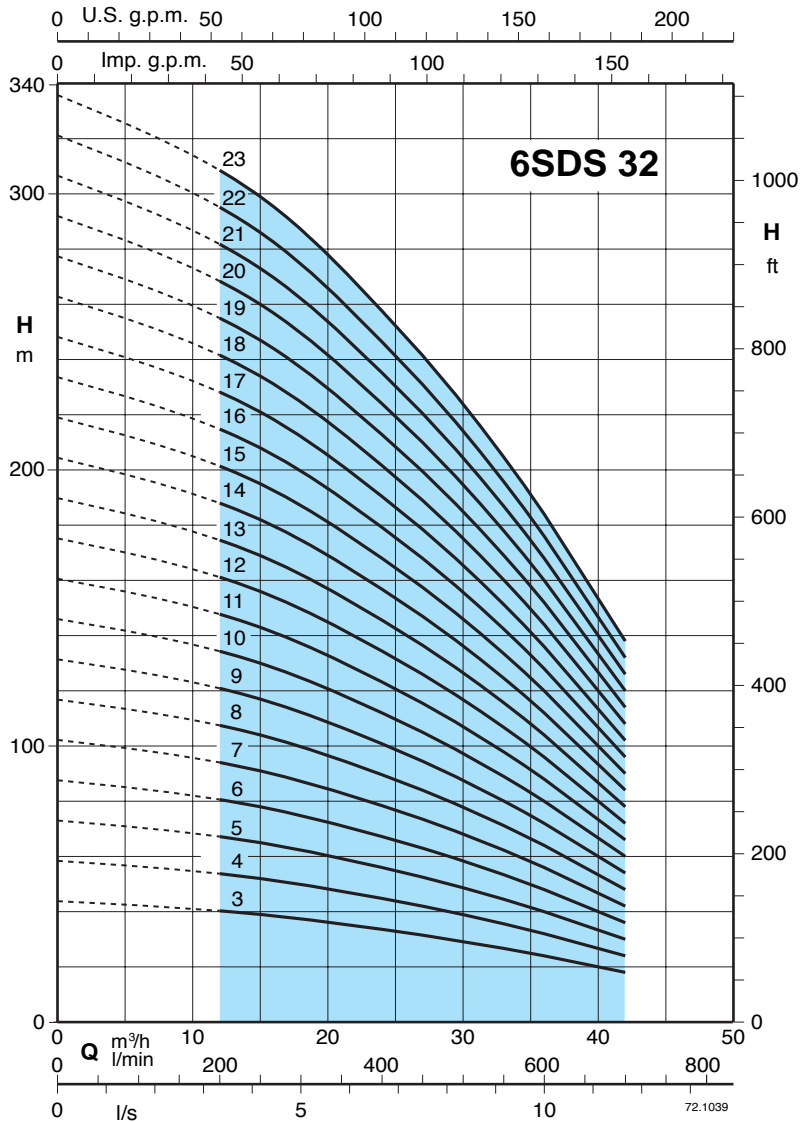
Coverage chart  $n \approx 2900$  rpm



# 6SDS 32

Submersible motor pumps for deep wells of 6"

## Characteristic curves, performance $n \approx 2900$ rpm, dimensions and weights



| 3 ~        | P <sub>2</sub> |           | Q   | n ≈ 2900 rpm |      |      |      |      |      |     |     |     |    |  |
|------------|----------------|-----------|-----|--------------|------|------|------|------|------|-----|-----|-----|----|--|
|            | kW             | HP        |     | H            |      |      |      |      |      |     |     |     |    |  |
|            |                |           |     | 12           | 18   | 21   | 24   | 27   | 30   | 33  | 36  | 39  | 42 |  |
| 6SDS 32/3  | 4              | 5,5       | 39  | 37           | 35,5 | 33,5 | 31,5 | 30   | 26,5 | 24  | 21  | 18  |    |  |
| 6SDS 32/4  | 5,5            | 7,5       | 52  | 49           | 47   | 45   | 42   | 39,5 | 35,5 | 32  | 28  | 24  |    |  |
| 6SDS 32/5  | 7,5            | 10        | 65  | 61,5         | 59   | 56   | 52,5 | 49,5 | 44,5 | 40  | 35  | 30  |    |  |
| 6SDS 32/6  | 7,5            | 10        | 78  | 74           | 71   | 67   | 63   | 59,5 | 53,5 | 48  | 42  | 36  |    |  |
| 6SDS 32/7  | 9,2            | 12,5      | 92  | 86           | 82,5 | 78,5 | 73,5 | 69   | 62   | 56  | 49  | 42  |    |  |
| 6SDS 32/8  | 11             | 15        | 105 | 98,5         | 94,5 | 89,5 | 84   | 79   | 71   | 64  | 56  | 48  |    |  |
| 6SDS 32/9  | 13 (15)        | 17,5 (20) | 118 | 111          | 106  | 101  | 94,5 | 89   | 80   | 72  | 63  | 54  |    |  |
| 6SDS 32/10 | 13 (15)        | 17,5 (20) | 131 | 123          | 118  | 112  | 105  | 99   | 89   | 80  | 70  | 60  |    |  |
| 6SDS 32/11 | 15             | 20        | 144 | 135          | 130  | 123  | 115  | 109  | 98   | 88  | 77  | 66  |    |  |
| 6SDS 32/12 | 15             | 20        | 157 | 147          | 141  | 134  | 126  | 119  | 107  | 96  | 84  | 72  |    |  |
| 6SDS 32/13 | 18,5           | 25        | 170 | 160          | 153  | 145  | 136  | 129  | 116  | 104 | 91  | 78  |    |  |
| 6SDS 32/14 | 18,5           | 25        | 183 | 172          | 165  | 157  | 147  | 138  | 124  | 112 | 98  | 84  |    |  |
| 6SDS 32/15 | 22             | 30        | 196 | 184          | 177  | 168  | 157  | 148  | 133  | 120 | 105 | 90  |    |  |
| 6SDS 32/16 | 22             | 30        | 209 | 197          | 189  | 179  | 168  | 158  | 142  | 128 | 112 | 96  |    |  |
| 6SDS 32/17 | 22             | 30        | 223 | 209          | 200  | 190  | 178  | 168  | 151  | 136 | 119 | 102 |    |  |
| 6SDS 32/18 | 26 (30)        | 35 (40)   | 236 | 221          | 212  | 201  | 189  | 178  | 160  | 144 | 126 | 108 |    |  |
| 6SDS 32/19 | 26 (30)        | 35 (40)   | 246 | 234          | 224  | 213  | 199  | 188  | 169  | 152 | 133 | 114 |    |  |
| 6SDS 32/20 | 26 (30)        | 35 (40)   | 262 | 246          | 236  | 224  | 210  | 198  | 178  | 160 | 140 | 120 |    |  |
| 6SDS 32/21 | 26 (30)        | 35 (40)   | 275 | 258          | 248  | 235  | 220  | 208  | 187  | 168 | 147 | 126 |    |  |
| 6SDS 32/22 | 30             | 40        | 288 | 270          | 259  | 246  | 231  | 218  | 196  | 176 | 154 | 132 |    |  |
| 6SDS 32/23 | 30             | 40        | 301 | 283          | 271  | 257  | 241  | 228  | 205  | 184 | 161 | 138 |    |  |

| DN             | L    | 6SDS | B-6SDS |
|----------------|------|------|--------|
|                | mm   | kg   | kg     |
| G 3<br>ISO 228 | 686  | 30,5 | 35,5   |
|                | 788  | 35,6 | 41,6   |
|                | 890  | 41   | 49     |
|                | 992  | 46   | 55     |
|                | 1094 | 52,3 | 62,3   |
|                | 1196 | 57   | 68     |
|                | 1298 | 62,5 | 74,5   |
|                | 1400 | 68,5 | 81,5   |
|                | 1502 | 72,5 | 86,5   |
|                | 1604 | 77,5 | 93,5   |
|                | 1706 | 84   | 101    |
|                | 1808 | 89   | 108    |
|                | 1910 | 94,2 | 112    |
|                | 2012 | 100  | 119    |
| 2114           | 105  | 125  |        |
| 2216           | 111  | 132  |        |
| 2318           | 116  | 139  |        |
| 2420           | 122  | 145  |        |
| 2522           | 127  | 151  |        |
| 2624           | 132  | 157  |        |
| 2726           | 137  | 164  |        |

P<sub>2</sub> Rated motor power output

(...) FK motor rated power output

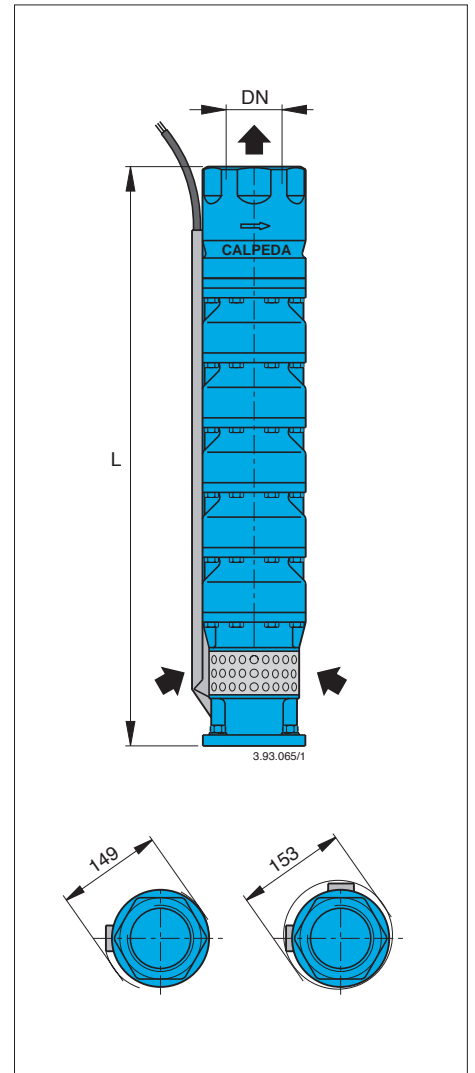
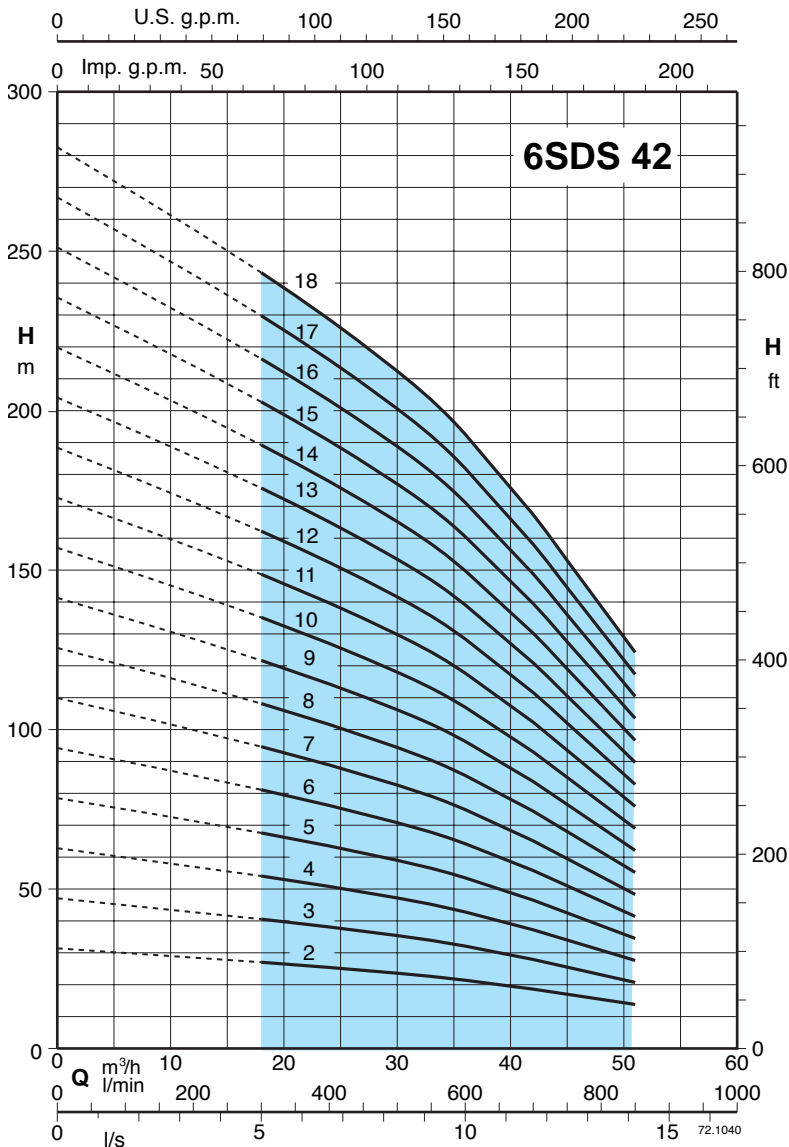
H Total head in m

Tolerances according to ISO 9906, annex A

# 6SDS 42

Submersible motor pumps for deep wells of 6"

## Characteristic curves, performance $n \approx 2900$ rpm, dimensions and weights



| 3 ~        | P <sub>2</sub> |           | Q    | n ≈ 2900 rpm |      |      |      |     |      |      |      |      |    |    |
|------------|----------------|-----------|------|--------------|------|------|------|-----|------|------|------|------|----|----|
|            |                |           |      | H            |      |      |      |     |      |      |      |      |    |    |
|            | kW             | HP        |      | m³/h         | 18   | 24   | 30   | 33  | 36   | 39   | 42   | 45   | 48 | 51 |
| 6SDS 42/2  | 4              | 5,5       | 27   | 25,5         | 23,5 | 22,5 | 21,5 | 20  | 18,5 | 17   | 15,5 | 14   |    |    |
| 6SDS 42/3  | 5,5            | 7,5       | 40   | 38           | 35,5 | 34   | 32   | 30  | 28   | 25,5 | 23   | 21   |    |    |
| 6SDS 42/4  | 7,5            | 10        | 53,5 | 51           | 47   | 45   | 43   | 40  | 37   | 34   | 31   | 27,5 |    |    |
| 6SDS 42/5  | 9,2            | 12,5      | 67   | 63,5         | 59   | 56,5 | 53,5 | 50  | 46,5 | 42,5 | 38,5 | 34,5 |    |    |
| 6SDS 42/6  | 11             | 15        | 80,5 | 76           | 71   | 68   | 64   | 60  | 56   | 51   | 46   | 41,5 |    |    |
| 6SDS 42/7  | 13 (15)        | 17,5 (20) | 94   | 89           | 82,5 | 79   | 75   | 70  | 65   | 59,5 | 54   | 48   |    |    |
| 6SDS 42/8  | 15             | 20        | 107  | 101          | 94,5 | 90,5 | 85,5 | 80  | 74,5 | 68   | 61,5 | 55   |    |    |
| 6SDS 42/9  | 15             | 20        | 120  | 114          | 106  | 102  | 96   | 90  | 84   | 76,5 | 69   | 62   |    |    |
| 6SDS 42/10 | 18,5           | 25        | 134  | 127          | 118  | 113  | 107  | 100 | 93   | 85   | 77   | 69   |    |    |
| 6SDS 42/11 | 18,5           | 25        | 147  | 140          | 130  | 124  | 118  | 110 | 102  | 93,5 | 85   | 76   |    |    |
| 6SDS 42/12 | 22             | 30        | 161  | 152          | 141  | 135  | 128  | 120 | 111  | 102  | 92,5 | 83   |    |    |
| 6SDS 42/13 | 22             | 30        | 174  | 165          | 153  | 147  | 139  | 130 | 121  | 110  | 100  | 90   |    |    |
| 6SDS 42/14 | 26 (30)        | 35 (40)   | 187  | 178          | 165  | 158  | 150  | 140 | 130  | 119  | 108  | 96,5 |    |    |
| 6SDS 42/15 | 26 (30)        | 35 (40)   | 201  | 190          | 177  | 169  | 160  | 150 | 139  | 127  | 115  | 103  |    |    |
| 6SDS 42/16 | 30             | 40        | 214  | 203          | 189  | 181  | 171  | 160 | 149  | 136  | 123  | 110  |    |    |
| 6SDS 42/17 | 30             | 40        | 228  | 216          | 200  | 192  | 182  | 170 | 158  | 144  | 131  | 117  |    |    |
| 6SDS 42/18 | 30             | 40        | 241  | 228          | 212  | 203  | 192  | 180 | 167  | 153  | 138  | 124  |    |    |

| DN             | L    | 6SDS | B-6SDS |
|----------------|------|------|--------|
|                | mm   | kg   | kg     |
| G 3<br>ISO 228 | 584  | 25,5 | 29,5   |
|                | 686  | 31,6 | 36,6   |
|                | 788  | 36   | 42     |
|                | 890  | 40,3 | 48,3   |
|                | 992  | 47   | 59     |
|                | 1094 | 50,5 | 65,5   |
|                | 1196 | 55,5 | 66,5   |
|                | 1298 | 62,5 | 74,5   |
|                | 1400 | 69   | 81     |
|                | 1502 | 74   | 86     |
|                | 1604 | 79,2 | 94,2   |
|                | 1706 | 83,2 | 99,2   |
|                | 1808 | 91,4 | 106    |
|                | 1910 | 96,4 | 113    |
| 2012           | 101  | 119  |        |
| 2114           | 106  | 126  |        |
| 2216           | 111  | 132  |        |

P<sub>2</sub> Rated motor power output

(...) FK motor rated power output

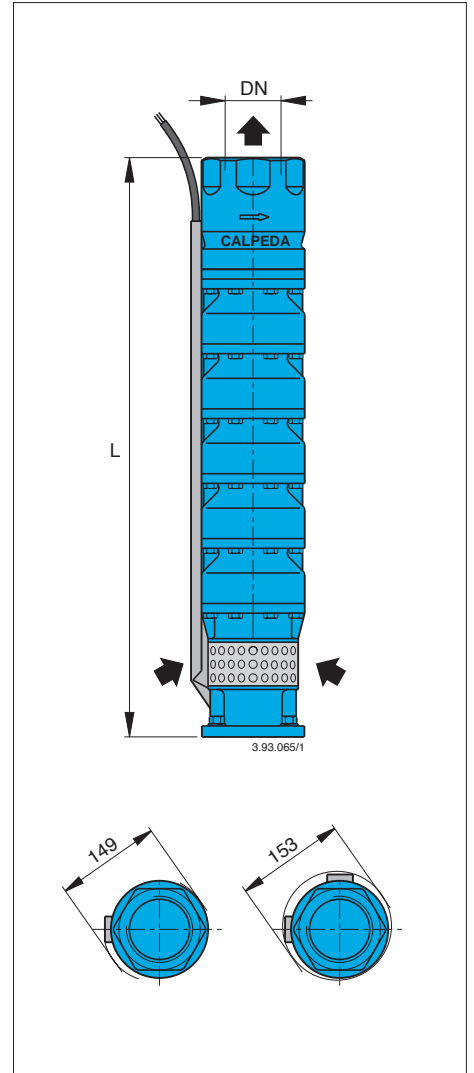
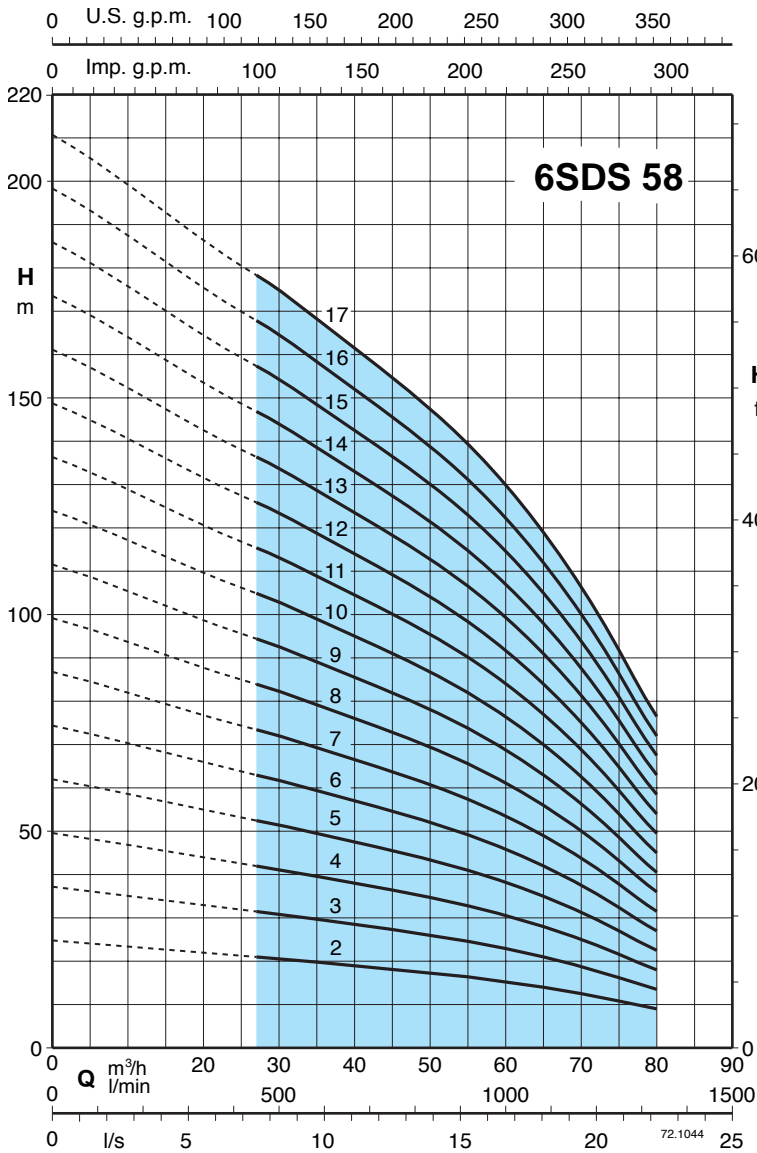
H Total head in m

Tolerances according to ISO 9906, annex A

# 6SDS 58

Submersible motor pumps for deep wells of 6"

## Characteristic curves, performance $n \approx 2900$ rpm, dimensions and weights



| 3 ~        | P <sub>2</sub> |           | Q      | n ≈ 2900 rpm                                     |      |      |     |      |      |      |      |      |      |      |  |  |  |
|------------|----------------|-----------|--------|--|------|------|-----|------|------|------|------|------|------|------|--|--|--|
|            |                |           |        | kW   |      | HP   |     | m³/h |      |      |      |      |      |      |  |  |  |
|            |                |           |        | 27   | 35   | 40   | 45  | 50   | 55   | 60   | 65   | 70   | 75   | 80   |  |  |  |
|            |                |           |        | l/min  |      |      |     |      |      |      |      |      |      |      |  |  |  |
|            |                |           |        | 450 583 666 750 833 916 1000 1083 1166 1250 1333 |      |      |     |      |      |      |      |      |      |      |  |  |  |
| 6SDS 58/2  | 4              | 5,5       | H<br>m | 21   | 20   | 19   | 18  | 17   | 16,5 | 15,5 | 14   | 12,5 | 11   | 9    |  |  |  |
| 6SDS 58/3  | 5,5            | 7,5       |        | 32   | 30   | 28,5 | 27  | 26   | 24,5 | 23   | 21   | 18,5 | 16   | 13,5 |  |  |  |
| 6SDS 58/4  | 7,5            | 10        |        | 42,5   | 39,5 | 38   | 36  | 34,5 | 33   | 31   | 28   | 25   | 21,5 | 18   |  |  |  |
| 6SDS 58/5  | 9,2            | 12,5      |        | 53   | 49,5 | 47,5 | 45  | 43   | 41   | 38,5 | 35   | 31   | 27   | 22,5 |  |  |  |
| 6SDS 58/6  | 11             | 15        |        | 63,5   | 59,5 | 57   | 54  | 51,5 | 49   | 46   | 42   | 37   | 32,5 | 27   |  |  |  |
| 6SDS 58/7  | 13 (15)        | 17,5 (20) |        | 74   | 59,5 | 66,5 | 63  | 60   | 57,5 | 54   | 49   | 43,5 | 38   | 31,5 |  |  |  |
| 6SDS 58/8  | 15             | 20        |        | 85   | 79   | 76   | 72  | 69   | 66   | 62   | 56   | 49,5 | 43   | 36   |  |  |  |
| 6SDS 58/9  | 18,5           | 25        |        | 95,5   | 89   | 85,5 | 81  | 77,5 | 74   | 69,5 | 63   | 56   | 49   | 40,5 |  |  |  |
| 6SDS 58/10 | 18,5           | 25        |        | 106  | 99   | 95   | 90  | 86   | 82   | 77   | 70   | 62   | 54   | 45   |  |  |  |
| 6SDS 58/11 | 22             | 30        |        | 117  | 109  | 104  | 99  | 94,5 | 90   | 85   | 77   | 68   | 59,5 | 49,5 |  |  |  |
| 6SDS 58/12 | 22             | 30        |        | 127  | 119  | 114  | 108 | 103  | 100  | 94,5 | 86,5 | 76,5 | 66,5 | 55,5 |  |  |  |
| 6SDS 58/13 | 26 (30)        | 35 (40)   |        | 138  | 129  | 123  | 117 | 112  | 107  | 100  | 91   | 80,5 | 70   | 58,5 |  |  |  |
| 6SDS 58/14 | 26 (30)        | 35 (40)   |        | 148  | 139  | 133  | 126 | 120  | 115  | 108  | 98   | 87   | 75,5 | 63   |  |  |  |
| 6SDS 58/15 | 30             | 40        |        | 159  | 148  | 142  | 135 | 129  | 123  | 115  | 105  | 93   | 81   | 67,5 |  |  |  |
| 6SDS 58/16 | 30             | 40        |        | 170  | 158  | 152  | 144 | 138  | 131  | 123  | 112  | 99   | 86,5 | 72   |  |  |  |
| 6SDS 58/17 | 30             | 40        |        | 180  | 168  | 162  | 153 | 146  | 139  | 131  | 119  | 105  | 92   | 76,5 |  |  |  |

| DN             | L    | 6SDS | B-6SDS |
|----------------|------|------|--------|
|                | mm   | kg   | kg     |
| G 4<br>ISO 228 | 584  | 26,5 | 29,5   |
|                | 686  | 31,6 | 36,6   |
|                | 788  | 37   | 43     |
|                | 890  | 43,3 | 50,3   |
|                | 992  | 48   | 57     |
|                | 1094 | 53,5 | 63,5   |
|                | 1196 | 59,5 | 70,5   |
|                | 1298 | 65   | 77     |
|                | 1400 | 71   | 84     |
|                | 1502 | 76,2 | 90,2   |
|                | 1604 | 82,2 | 97,2   |
|                | 1706 | 87,4 | 104    |
|                | 1808 | 93,4 | 111    |
|                | 1910 | 99,4 | 118    |
| 2012           | 104  | 124  |        |
| 2114           | 110  | 131  |        |

P<sub>2</sub> Rated motor power output

(...) FK motor rated power output

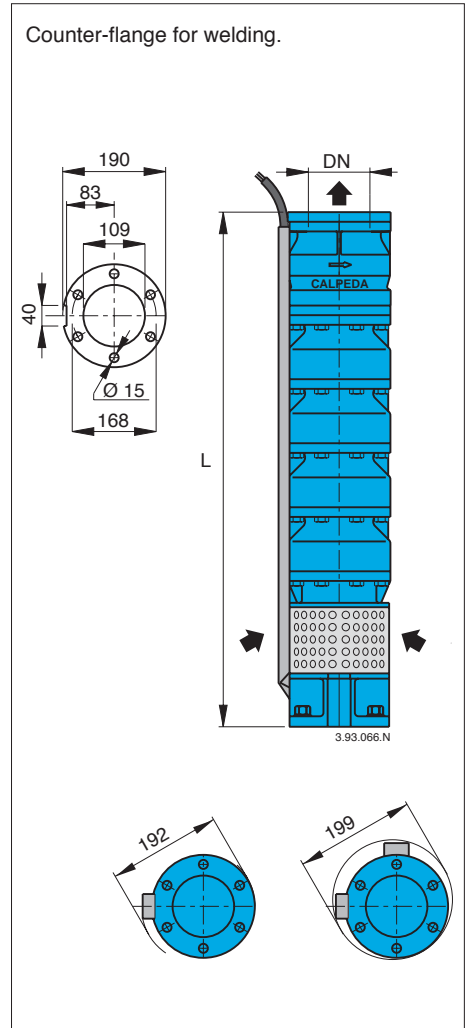
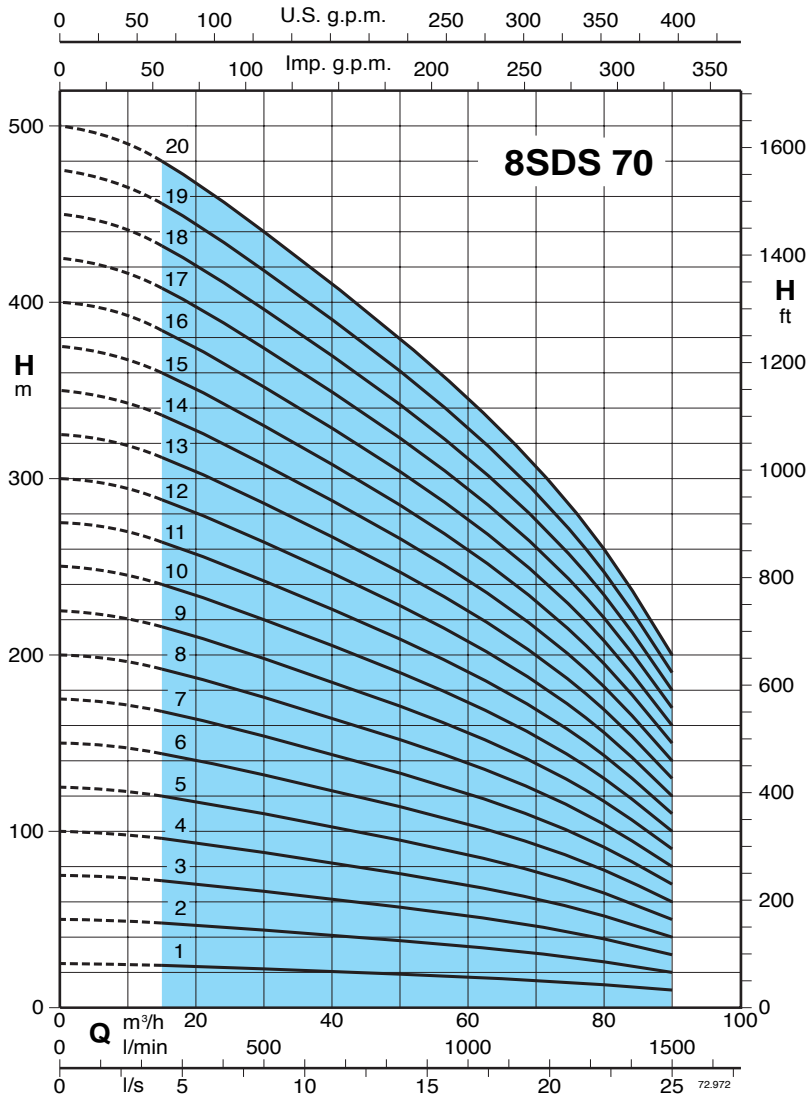
H Total head in m

Tolerances according to ISO 9906, annex A

# 8SDS 70

Submersible motor pumps for deep wells of 8"

## Characteristic curves, performance $n \approx 2900$ rpm, dimensions and weights



| 3 ~        | P <sub>2</sub> |          | Q      | n ≈ 2900 rpm |     |     |      |     |      |      |      |      |      |  |
|------------|----------------|----------|--------|--------------|-----|-----|------|-----|------|------|------|------|------|--|
|            | kW             | HP       |        | m³/h         | 15  | 20  | 30   | 40  | 50   | 60   | 70   | 80   | 90   |  |
|            |                |          |        | l/min        | 250 | 333 | 500  | 666 | 833  | 1000 | 1166 | 1333 | 1500 |  |
| 8SDS 70/1  | 5,5            | 7,5      | H<br>m | 24           | 23  | 22  | 20,5 | 19  | 17,5 | 15   | 13   | 10   |      |  |
| 8SDS 70/2  | 9,2            | 12,5     |        | 48           | 46  | 44  | 41   | 38  | 35   | 30   | 26   | 20   |      |  |
| 8SDS 70/3  | 15             | 20       |        | 72           | 69  | 66  | 61,5 | 57  | 52,5 | 45   | 39   | 30   |      |  |
| 8SDS 70/4  | 18,5           | 25       |        | 96           | 92  | 88  | 82   | 76  | 70   | 60   | 52   | 40   |      |  |
| 8SDS 70/5  | 22             | 30       |        | 120          | 115 | 110 | 102  | 95  | 87,5 | 75   | 65   | 50   |      |  |
| 8SDS 70/6  | 26 (30)        | 35 (40)  |        | 144          | 138 | 132 | 123  | 114 | 105  | 90   | 78   | 60   |      |  |
| 8SDS 70/7  | 30             | 40       |        | 168          | 161 | 154 | 143  | 133 | 122  | 105  | 91   | 70   |      |  |
| 8SDS 70/8  | 37             | 50       |        | 192          | 184 | 176 | 164  | 152 | 140  | 120  | 104  | 80   |      |  |
| 8SDS 70/9  | 45             | 60       |        | 216          | 207 | 198 | 184  | 171 | 157  | 135  | 117  | 90   |      |  |
| 8SDS 70/10 | 45             | 60       |        | 240          | 230 | 220 | 205  | 190 | 175  | 150  | 130  | 100  |      |  |
| 8SDS 70/11 | 51 (55)        | 70 (75)  |        | 264          | 253 | 242 | 225  | 209 | 192  | 165  | 143  | 110  |      |  |
| 8SDS 70/12 | 55             | 75       |        | 288          | 276 | 264 | 246  | 228 | 210  | 180  | 156  | 120  |      |  |
| 8SDS 70/13 | 59 (75)        | 80 (100) |        | 312          | 299 | 286 | 266  | 247 | 227  | 195  | 169  | 130  |      |  |
| 8SDS 70/14 | 59 (75)        | 80 (100) |        | 336          | 322 | 308 | 287  | 266 | 245  | 210  | 182  | 140  |      |  |
| 8SDS 70/15 | 66 (75)        | 90 (100) |        | 360          | 345 | 330 | 307  | 285 | 262  | 225  | 195  | 150  |      |  |
| 8SDS 70/16 | 75             | 100      |        | 384          | 368 | 352 | 328  | 304 | 280  | 240  | 208  | 160  |      |  |
| 8SDS 70/17 | 75             | 100      |        | 408          | 391 | 374 | 348  | 323 | 297  | 255  | 221  | 170  |      |  |
| 8SDS 70/18 | 92             | 125      |        | 432          | 414 | 396 | 369  | 342 | 315  | 270  | 234  | 180  |      |  |
| 8SDS 70/19 | 92             | 125      |        | 456          | 437 | 418 | 389  | 361 | 332  | 285  | 247  | 190  |      |  |
| 8SDS 70/20 | 92             | 125      |        | 480          | 460 | 440 | 410  | 380 | 350  | 300  | 260  | 200  |      |  |

| DN        | Motor     |           | L    | 8SDS | B-8SDS |
|-----------|-----------|-----------|------|------|--------|
|           | CS<br>mm  | FK<br>mm  |      |      |        |
| 100       | 145<br>6" | 137<br>6" | 602  | 38   | 43     |
|           |           |           | 734  | 49   | 55,5   |
|           |           |           | 866  | 60   | 68     |
|           |           |           | 998  | 71,5 | 80,5   |
|           |           |           | 1130 | 82,5 | 93     |
|           | 191<br>8" | 196<br>8" | 1262 | 93,5 | 106    |
|           |           |           | 1394 | 105  | 118    |
|           |           |           | 1526 | 116  | 131    |
|           |           |           | 1658 | 127  | 143    |
|           |           |           | 1790 | 138  | 156    |
| 191<br>8" | 196<br>8" | 1922      | 149  | 168  |        |
|           |           | 2054      | 160  | 181  |        |
|           |           | 2186      | 171  | 194  |        |
|           |           | 2318      | 182  | 206  |        |
|           |           | 2450      | 193  | 219  |        |
| 191<br>8" | 196<br>8" | 2582      | 205  | 231  |        |
|           |           | 2714      | 216  | 244  |        |
|           |           | 2846      | 227  | 256  |        |
|           |           | 2978      | 238  | 269  |        |
|           |           | 3110      | 249  | 281  |        |

P<sub>2</sub> Rated motor power output

(...) FK motor rated power output

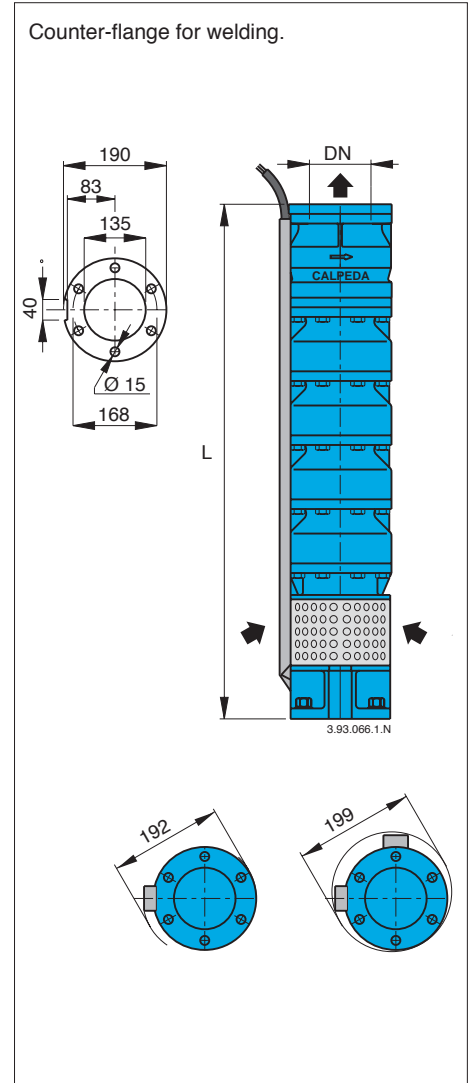
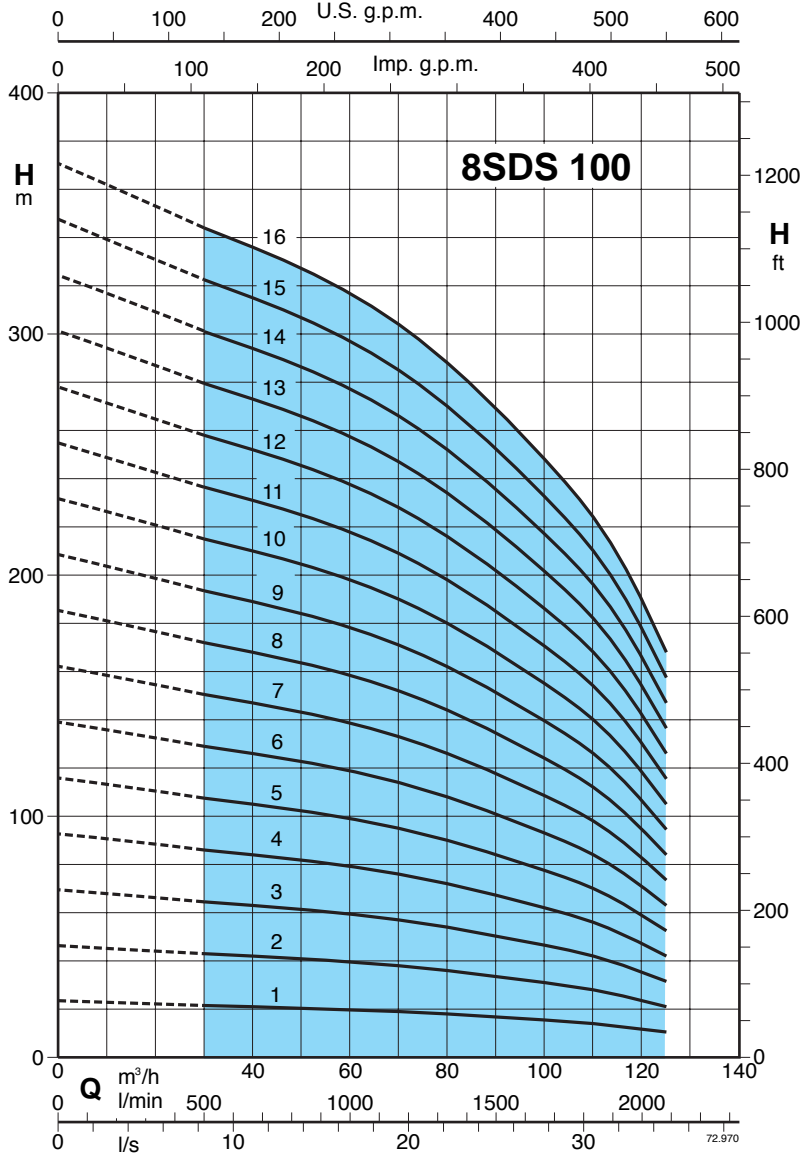
H Total head in m

Tolerances according to ISO 9906, annex A

# 8SDS 100

Submersible motor pumps for deep wells of 8"

## Characteristic curves, performance $n \approx 2900$ rpm, dimensions and weights



| 3 ~         | P <sub>2</sub> |          | Q     | n ≈ 2900 rpm |     |      |      |      |      |      |      |      |      |     |  |  |  |  |  |  |  |  |  |
|-------------|----------------|----------|-------|--------------|-----|------|------|------|------|------|------|------|------|-----|--|--|--|--|--|--|--|--|--|
|             |                |          |       | H m          |     |      |      |      |      |      |      |      |      |     |  |  |  |  |  |  |  |  |  |
|             |                |          |       | m³/h         | 30  | 40   | 50   | 60   | 70   | 80   | 90   | 100  | 110  | 125 |  |  |  |  |  |  |  |  |  |
|             | kW             | HP       | l/min | 500          | 666 | 833  | 1000 | 1166 | 1333 | 1500 | 1666 | 1833 | 2083 |     |  |  |  |  |  |  |  |  |  |
| 8SDS 100/1  | 5,5            | 7,5      |       | 21,5         | 21  | 20,5 | 20   | 19   | 18   | 17   | 15,5 | 14   | 10,5 |     |  |  |  |  |  |  |  |  |  |
| 8SDS 100/2  | 11             | 15       |       | 43           | 42  | 41   | 40   | 38   | 36   | 34   | 31   | 28   | 21   |     |  |  |  |  |  |  |  |  |  |
| 8SDS 100/3  | 18,5           | 25       |       | 64,5         | 63  | 61,5 | 60   | 57   | 54   | 51   | 46,5 | 42   | 31,5 |     |  |  |  |  |  |  |  |  |  |
| 8SDS 100/4  | 22             | 30       |       | 86           | 84  | 82   | 80   | 76   | 72   | 68   | 62   | 56   | 42   |     |  |  |  |  |  |  |  |  |  |
| 8SDS 100/5  | 30             | 40       |       | 107          | 105 | 102  | 100  | 95   | 90   | 85   | 77,5 | 70   | 52,5 |     |  |  |  |  |  |  |  |  |  |
| 8SDS 100/6  | 37             | 50       |       | 129          | 126 | 123  | 120  | 114  | 108  | 102  | 93   | 84   | 63   |     |  |  |  |  |  |  |  |  |  |
| 8SDS 100/7  | 45             | 60       |       | 150          | 147 | 143  | 140  | 133  | 126  | 119  | 108  | 98   | 73,5 |     |  |  |  |  |  |  |  |  |  |
| 8SDS 100/8  | 45             | 60       |       | 172          | 168 | 164  | 160  | 152  | 144  | 136  | 124  | 112  | 84   |     |  |  |  |  |  |  |  |  |  |
| 8SDS 100/9  | 51 (55)        | 70 (75)  |       | 193          | 189 | 184  | 180  | 171  | 162  | 153  | 139  | 126  | 94,5 |     |  |  |  |  |  |  |  |  |  |
| 8SDS 100/10 | 55             | 75       |       | 215          | 210 | 205  | 200  | 190  | 180  | 170  | 155  | 140  | 105  |     |  |  |  |  |  |  |  |  |  |
| 8SDS 100/11 | 66 (75)        | 90 (100) |       | 236          | 231 | 225  | 220  | 209  | 198  | 187  | 170  | 154  | 115  |     |  |  |  |  |  |  |  |  |  |
| 8SDS 100/12 | 66 (75)        | 90 (100) |       | 258          | 252 | 246  | 240  | 228  | 216  | 204  | 186  | 168  | 126  |     |  |  |  |  |  |  |  |  |  |
| 8SDS 100/13 | 75             | 100      |       | 279          | 273 | 266  | 260  | 247  | 234  | 221  | 201  | 182  | 136  |     |  |  |  |  |  |  |  |  |  |
| 8SDS 100/14 | 92             | 125      |       | 301          | 294 | 287  | 280  | 266  | 252  | 238  | 217  | 196  | 147  |     |  |  |  |  |  |  |  |  |  |
| 8SDS 100/15 | 92             | 125      |       | 322          | 315 | 307  | 300  | 285  | 270  | 255  | 232  | 210  | 157  |     |  |  |  |  |  |  |  |  |  |
| 8SDS 100/16 | 92             | 125      |       | 344          | 336 | 328  | 320  | 304  | 288  | 272  | 248  | 224  | 168  |     |  |  |  |  |  |  |  |  |  |

| DN  | Motor     |           | L    | 8SDS | B-8SDS |
|-----|-----------|-----------|------|------|--------|
|     | CS mm     | FK mm     |      |      |        |
| 125 | 145<br>6" | 137<br>6" | 602  | 38   | 43     |
|     |           |           | 734  | 49   | 55     |
|     |           |           | 866  | 59   | 67     |
|     |           |           | 998  | 70   | 79     |
|     |           |           | 1130 | 81   | 91     |
|     |           |           | 1262 | 92   | 103    |
|     | 191<br>8" | 196<br>8" | 1394 | 102  | 115    |
|     |           |           | 1526 | 113  | 128    |
|     |           |           | 1658 | 124  | 140    |
|     |           |           | 1790 | 135  | 152    |
|     |           |           | 1922 | 145  | 164    |
|     |           |           | 2054 | 156  | 176    |
|     |           |           | 2186 | 167  | 188    |
|     |           |           | 2318 | 177  | 200    |
|     |           |           | 2450 | 188  | 212    |
|     |           |           | 2582 | 199  | 224    |

P<sub>2</sub> Rated motor power output

(...) FK motor rated power output

H Total head in m

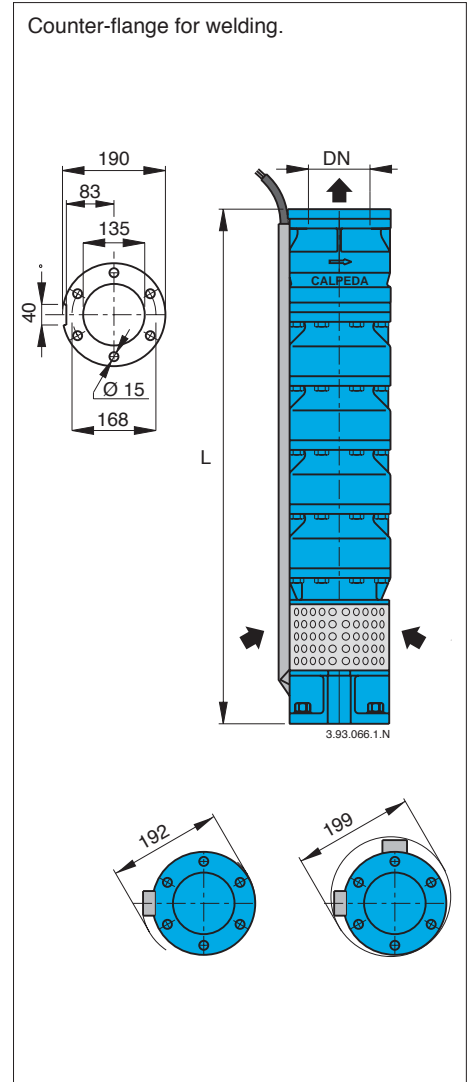
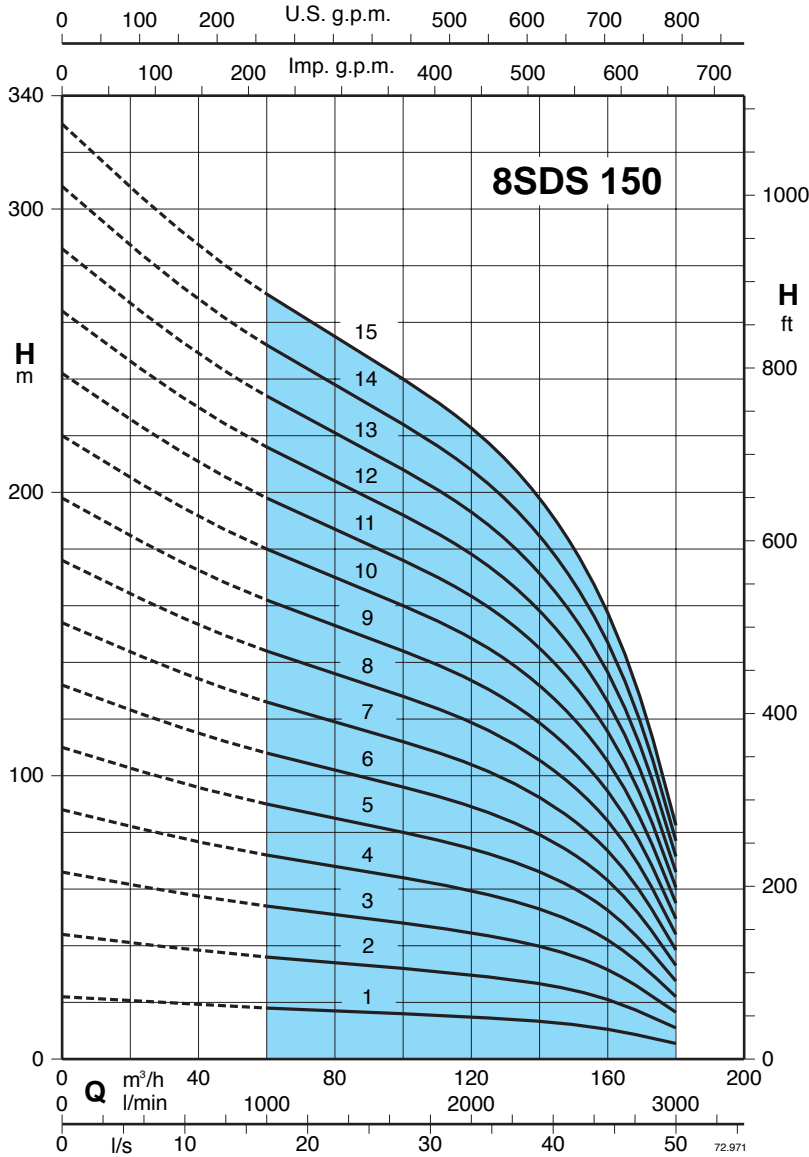
Tolerances according to ISO 9906, annex A



# 8SDS 150

Submersible motor pumps for deep wells of 8"

## Characteristic curves, performance $n \approx 2900$ rpm, dimensions and weights



| 3 ~         | P <sub>2</sub> |          | Q      | n ≈ 2900 rpm |      |      |      |      |      |      |      |      |      |      |      |
|-------------|----------------|----------|--------|--------------|------|------|------|------|------|------|------|------|------|------|------|
|             | kW             | HP       |        | m³/h         | 60   | 70   | 80   | 90   | 100  | 110  | 125  | 140  | 150  | 160  | 180  |
|             |                |          |        | l/min        | 1000 | 1166 | 1333 | 1500 | 1666 | 1833 | 2083 | 2333 | 2500 | 2666 | 3000 |
| 8SDS 150/1  | 7,5            | 10       | H<br>m | 18           | 17,5 | 17   | 16,5 | 16   | 15,5 | 14,5 | 13   | 11,5 | 10,5 | 5,5  |      |
| 8SDS 150/2  | 15             | 20       |        | 36           | 35   | 34   | 33   | 32   | 31   | 29   | 26   | 23   | 21   | 11   |      |
| 8SDS 150/3  | 22             | 30       |        | 54           | 52,5 | 51   | 49,5 | 48   | 46,5 | 43,5 | 39   | 34,5 | 31,5 | 16,5 |      |
| 8SDS 150/4  | 30             | 40       |        | 72           | 70   | 68   | 66   | 64   | 62   | 58   | 52   | 46   | 42   | 22   |      |
| 8SDS 150/5  | 37             | 50       |        | 90           | 87,5 | 85   | 82,5 | 80   | 77,5 | 72,5 | 65   | 57,5 | 52,5 | 27,5 |      |
| 8SDS 150/6  | 45             | 60       |        | 108          | 105  | 102  | 99   | 96   | 93   | 87   | 78   | 69   | 63   | 33   |      |
| 8SDS 150/7  | 51 (55)        | 70 (75)  |        | 126          | 122  | 119  | 115  | 112  | 108  | 101  | 91   | 80,5 | 73,5 | 38,5 |      |
| 8SDS 150/8  | 59 (75)        | 80 (100) |        | 144          | 140  | 136  | 132  | 128  | 124  | 116  | 104  | 92   | 84   | 44   |      |
| 8SDS 150/9  | 66 (75)        | 90 (100) |        | 162          | 157  | 153  | 148  | 144  | 139  | 130  | 117  | 103  | 94,5 | 49,5 |      |
| 8SDS 150/10 | 75             | 100      |        | 180          | 175  | 170  | 165  | 160  | 155  | 145  | 130  | 115  | 105  | 55   |      |
| 8SDS 150/11 | 92             | 125      |        | 198          | 192  | 187  | 181  | 176  | 170  | 159  | 143  | 126  | 115  | 60,5 |      |
| 8SDS 150/12 | 92             | 125      |        | 216          | 210  | 204  | 198  | 192  | 186  | 174  | 156  | 138  | 126  | 66   |      |
| 8SDS 150/13 | 110            | 150      |        | 234          | 227  | 221  | 214  | 208  | 201  | 188  | 169  | 149  | 136  | 71,5 |      |
| 8SDS 150/14 | 110            | 150      |        | 252          | 245  | 238  | 231  | 224  | 217  | 203  | 182  | 161  | 147  | 77   |      |
| 8SDS 150/15 | 110            | 150      |        | 270          | 262  | 255  | 247  | 240  | 232  | 217  | 195  | 172  | 157  | 82,5 |      |

| DN         | Motor     |           | L    | 8SDS | B-8SDS |
|------------|-----------|-----------|------|------|--------|
|            | CS<br>mm  | FK<br>mm  |      |      |        |
| 125        | 145<br>6" | 137<br>6" | 602  | 38   | 43     |
|            |           |           | 734  | 49   | 55,5   |
|            |           |           | 866  | 60   | 68     |
|            |           |           | 998  | 71,5 | 80,5   |
|            |           |           | 1130 | 82,5 | 93     |
|            |           |           | 1262 | 93,5 | 106    |
|            | 191<br>8" | 196<br>8" | 1394 | 105  | 118    |
|            |           |           | 1526 | 116  | 131    |
|            |           |           | 1658 | 127  | 143    |
|            |           |           | 1790 | 138  | 156    |
|            |           |           | 1922 | 149  | 168    |
|            |           |           | 2054 | 160  | 181    |
| 240<br>10" |           | 2186      | 171  | 194  |        |
|            |           | 2318      | 182  | 206  |        |
|            |           | 2450      | 193  | 219  |        |

P<sub>2</sub> Rated motor power output

(...) FK motor rated power output

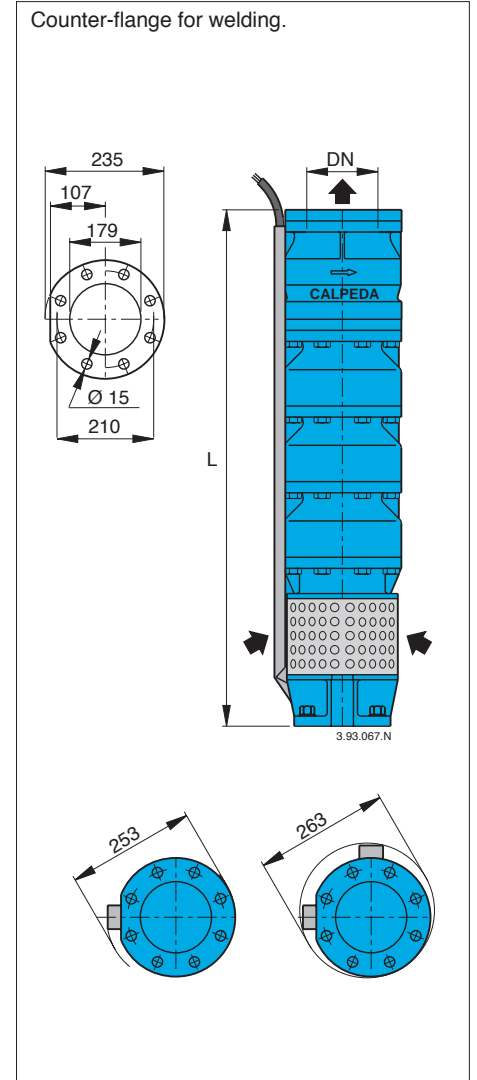
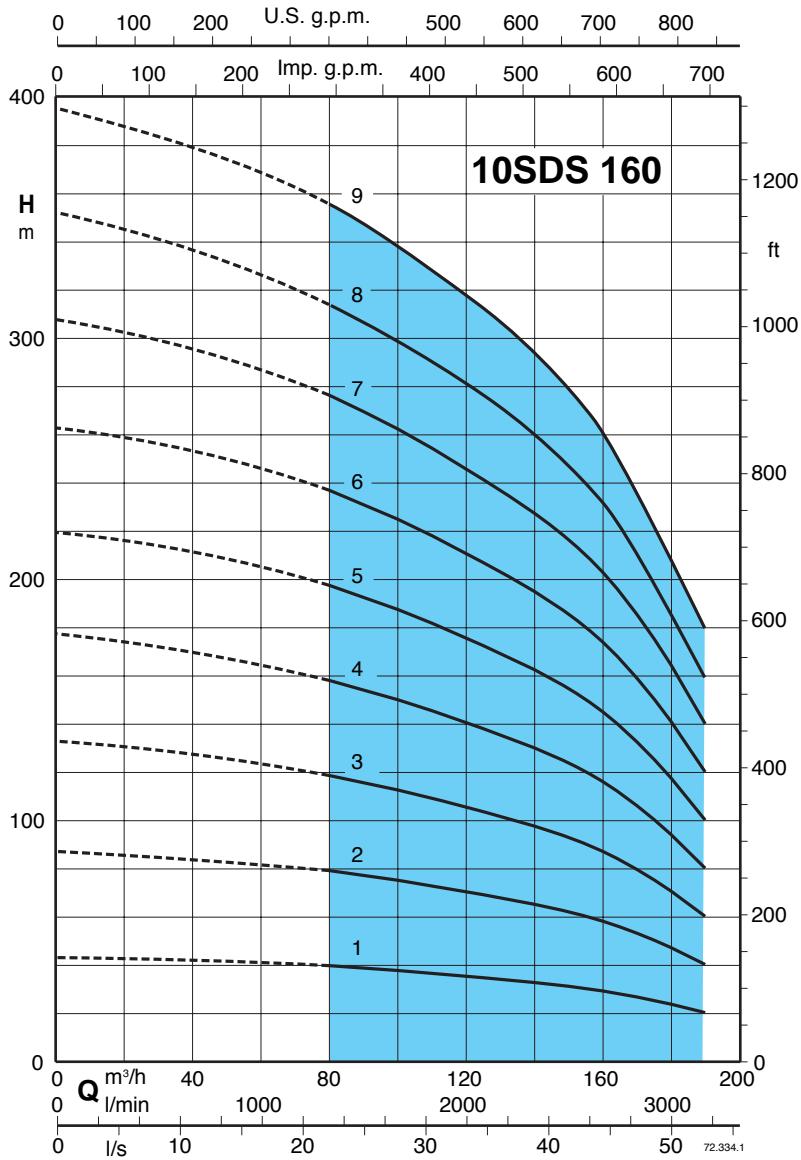
H Total head in m

Tolerances according to ISO 9906, annex A

# 10SDS 160

Submersible motor pumps for deep wells of 10"

## Characteristic curves, performance $n \approx 2900$ rpm, dimensions and weights



| 3 ~         | P <sub>2</sub> |           | Q      | n ≈ 2900 rpm      |      |      |      |      |      |      |      |      |      |      |      |
|-------------|----------------|-----------|--------|-------------------|------|------|------|------|------|------|------|------|------|------|------|
|             | kW             | HP        |        | m <sup>3</sup> /h | 80   | 90   | 100  | 110  | 125  | 140  | 150  | 160  | 170  | 180  | 190  |
|             |                |           |        | l/min             | 1333 | 1500 | 1666 | 1833 | 2083 | 2333 | 2500 | 2666 | 2833 | 3000 | 3166 |
| 10SDS 160/1 | 18,5           | 25        | H<br>m | 39,5              | 38   | 37,5 | 36   | 34,5 | 32,5 | 31   | 29   | 26,5 | 22   | 20   |      |
| 10SDS 160/2 | 37             | 50        |        | 78,5              | 76,5 | 74,5 | 72,5 | 69   | 65   | 62   | 58,5 | 53,5 | 44   | 40   |      |
| 10SDS 160/3 | 55             | 75        |        | 118               | 114  | 112  | 108  | 104  | 98   | 92,5 | 87,5 | 80   | 66,5 | 60   |      |
| 10SDS 160/4 | 75             | 100       |        | 157               | 153  | 149  | 145  | 138  | 130  | 123  | 117  | 107  | 88,5 | 80   |      |
| 10SDS 160/5 | 92             | 125       |        | 196               | 191  | 186  | 181  | 173  | 163  | 154  | 146  | 134  | 111  | 100  |      |
| 10SDS 160/6 | 110            | 150       |        | 236               | 229  | 224  | 217  | 207  | 195  | 185  | 175  | 160  | 133  | 120  |      |
| 10SDS 160/7 | 132 (130)      | 180 (175) |        | 275               | 267  | 261  | 253  | 242  | 228  | 216  | 204  | 187  | 155  | 140  |      |
| 10SDS 160/8 | 150            | 200       |        | 314               | 305  | 298  | 289  | 276  | 260  | 246  | 233  | 213  | 177  | 160  |      |
| 10SDS 160/9 | 165            | 225       |        | 356               | 342  | 338  | 324  | 311  | 293  | 279  | 261  | 239  | 198  | 180  |      |

| DN  | Motor      |           | L<br>mm | 10SDS<br>kg | B-10SDS<br>kg |
|-----|------------|-----------|---------|-------------|---------------|
|     | CS<br>mm   | FK<br>mm  |         |             |               |
| 175 | 145-6"     | 137<br>6" | 865     | 77          | 87            |
|     |            |           | 1035    | 103         | 114           |
|     | 191<br>8"  | 196<br>8" | 1205    | 126         | 141           |
|     |            |           | 1375    | 150         | 169           |
|     | 240<br>10" | -         | 1545    | 173         | 195           |
|     |            |           | 1715    | 197         | 222           |
| -   | -          | 1885      | 220     | 249         |               |
| -   | -          | 2055      | 244     | 276         |               |
| -   | -          | 2225      | 268     | 303         |               |

P<sub>2</sub> Rated motor power output

(...) FK motor rated power output

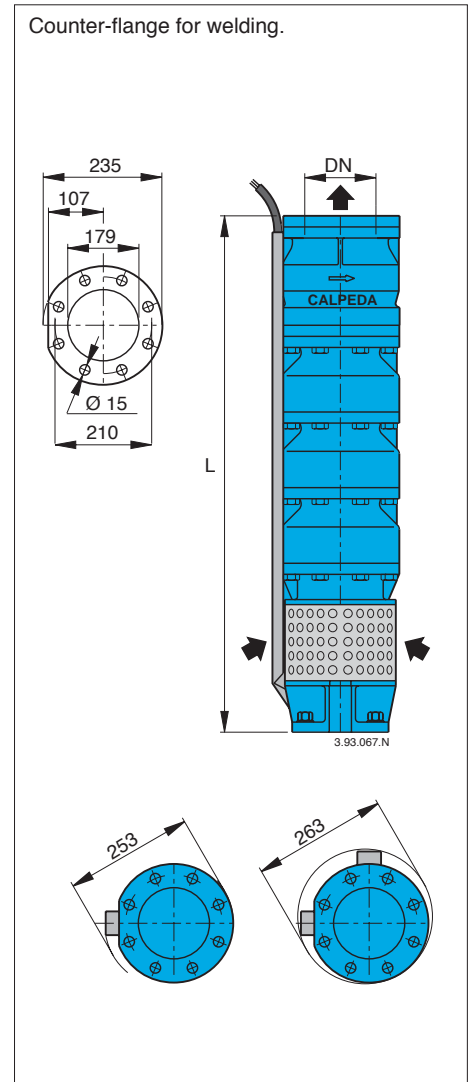
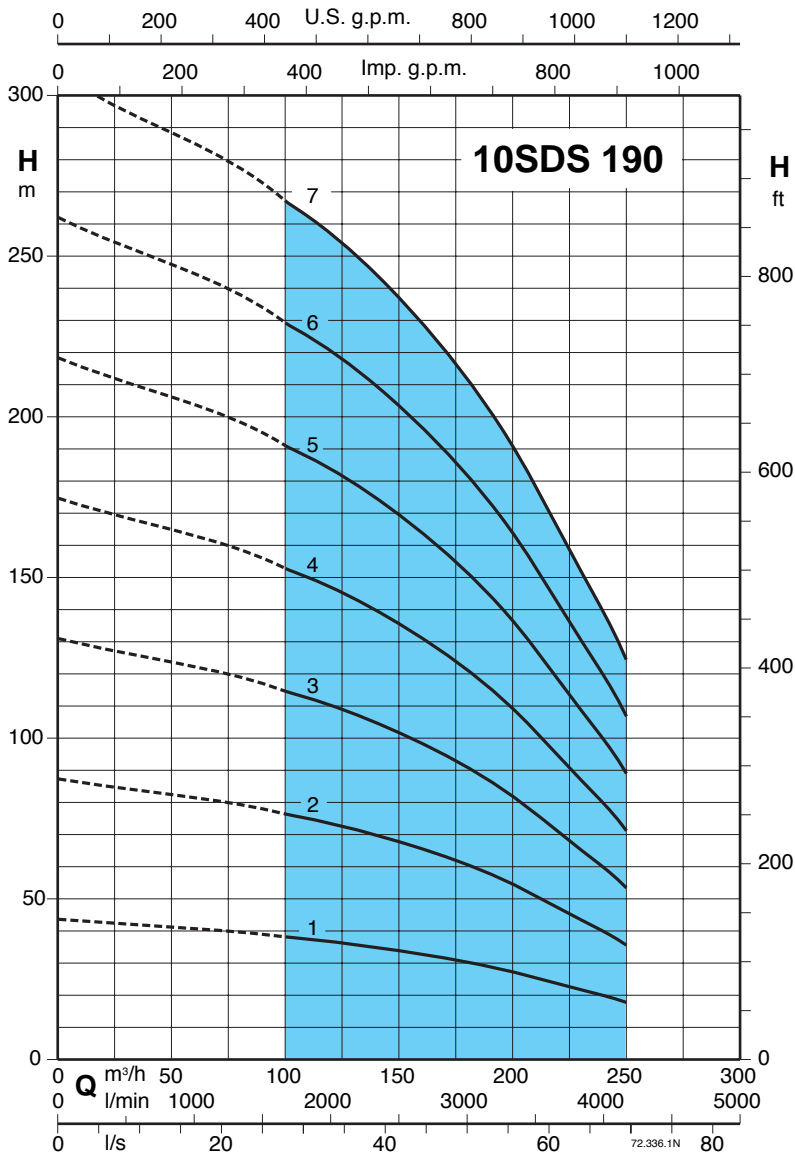
H Total head in m

Tolerances according to ISO 9906, annex A

# 10SDS 190

Submersible motor pumps for deep wells of 10''

## Characteristic curves, performance $n \approx 2900$ rpm, dimensions and weights



| 3 ~         | P <sub>2</sub> |           | Q     | n ≈ 2900 rpm |      |      |      |      |      |      |      |      |      |  |
|-------------|----------------|-----------|-------|--------------|------|------|------|------|------|------|------|------|------|--|
|             | kW             | HP        |       | H m          |      |      |      |      |      |      |      |      |      |  |
|             |                |           | m³/h  | 100          | 120  | 140  | 160  | 180  | 200  | 220  | 230  | 240  | 250  |  |
| 10SDS 190/1 | 22             | 30        | l/min | 1666         | 2000 | 2333 | 2666 | 3000 | 3333 | 3666 | 3833 | 4000 | 4166 |  |
| 10SDS 190/2 | 45             | 60        |       | 38           | 37   | 35   | 33   | 30   | 27   | 24   | 22   | 20   | 18   |  |
| 10SDS 190/3 | 66 (75)        | 90 (100)  |       | 76           | 73   | 70   | 66   | 61   | 55   | 47   | 44   | 40   | 36   |  |
| 10SDS 190/4 | 92             | 125       |       | 115          | 110  | 105  | 98   | 91   | 82   | 71   | 65   | 59   | 53   |  |
| 10SDS 190/5 | 110            | 150       |       | 153          | 147  | 140  | 131  | 121  | 109  | 95   | 87   | 79   | 71   |  |
| 10SDS 190/6 | 132 (130)      | 180 (175) |       | 191          | 183  | 175  | 164  | 152  | 137  | 119  | 109  | 99   | 89   |  |
| 10SDS 190/7 | 165            | 225       |       | 229          | 220  | 210  | 197  | 182  | 164  | 142  | 131  | 119  | 107  |  |
|             |                |           |       | 267          | 257  | 244  | 230  | 212  | 191  | 166  | 152  | 139  | 125  |  |

| DN  | Motor  |       | L    | 10SDS | B-10SDS |
|-----|--------|-------|------|-------|---------|
|     | CS mm  | FK mm |      |       |         |
| 175 | 145-6" | 137   | 865  | 78    | 88      |
|     |        | 6"    | 1035 | 102   | 115     |
|     | 191    | 196   | 1205 | 127   | 143     |
|     | 8"     |       | 1375 | 151   | 170     |
|     |        |       | 1545 | 175   | 198     |
| 240 | 10"    | 1715  | 199  | 225   |         |
|     | -      | 1885  | 223  | 252   |         |

P<sub>2</sub> Rated motor power output

(...) FK motor rated power output

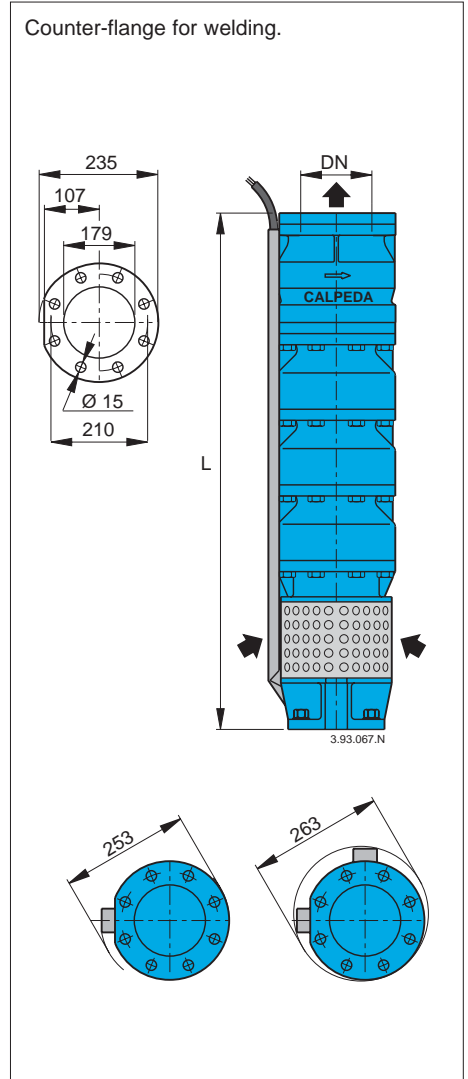
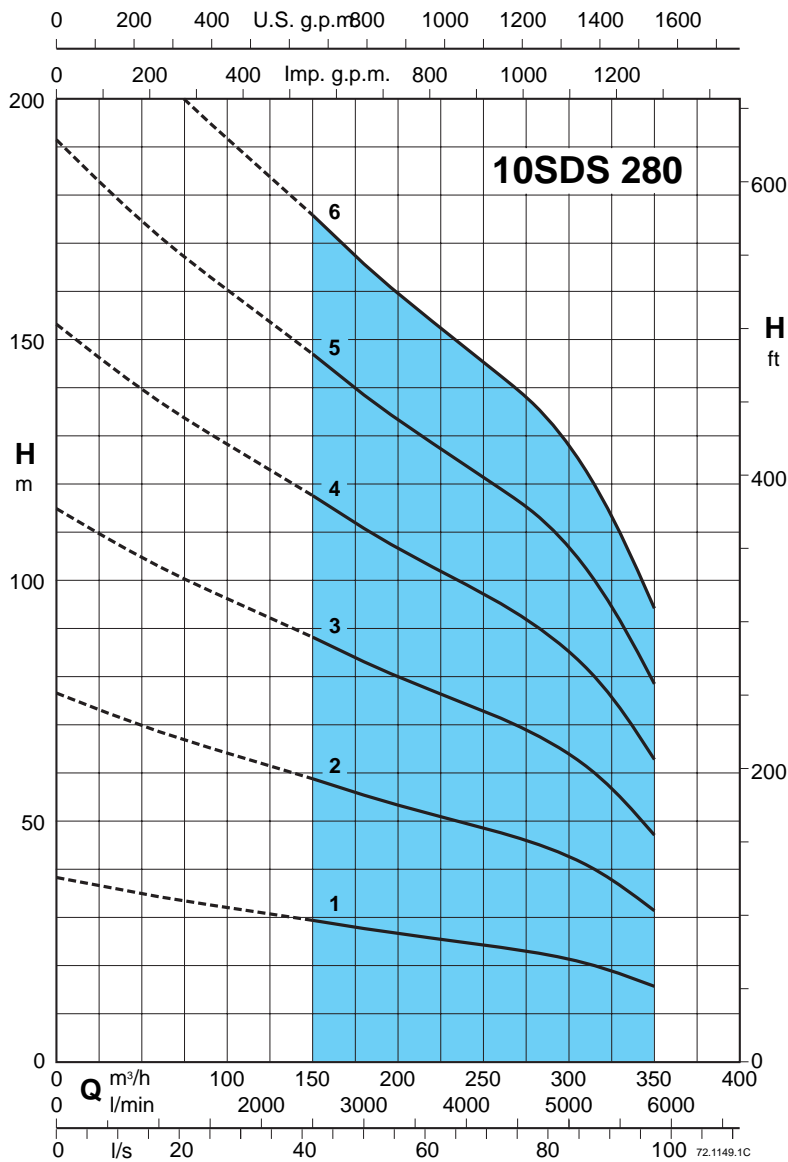
H Total head in m

Tolerances according to ISO 9906, annex A

# 10SDS 280

Submersible motor pumps for deep wells of 10"

## Characteristic curves, performance $n \approx 2900$ rpm, dimensions and weights



| 3 ~         | P <sub>2</sub> |           | Q      | n ≈ 2900 rpm |      |      |      |      |      |      |      |      |      |     |
|-------------|----------------|-----------|--------|--------------|------|------|------|------|------|------|------|------|------|-----|
|             | kW             | HP        |        | m³/h         | 150  | 180  | 200  | 220  | 240  | 260  | 280  | 300  | 315  | 350 |
|             |                |           | l/min  | 2500         | 3000 | 3333 | 3666 | 4000 | 4333 | 4666 | 5000 | 5250 | 5833 |     |
| 10SDS 280/1 | 26 (30)        | 35 (40)   | H<br>m | 29           | 28   | 27   | 26   | 25   | 24   | 23   | 21   | 20   | 16   |     |
| 10SDS 280/2 | 55             | 75        |        | 59           | 55   | 53   | 51   | 50   | 48   | 46   | 42   | 40   | 31   |     |
| 10SDS 280/3 | 75             | 100       |        | 88           | 83   | 80   | 77   | 75   | 71   | 69   | 64   | 60   | 47   |     |
| 10SDS 280/4 | 110            | 150       |        | 118          | 111  | 106  | 103  | 100  | 95   | 92   | 85   | 80   | 63   |     |
| 10SDS 280/5 | 132 (130)      | 180 (175) |        | 147          | 139  | 133  | 129  | 125  | 119  | 115  | 106  | 100  | 79   |     |
| 10SDS 280/6 | 150            | 200       |        | 176          | 167  | 160  | 155  | 150  | 143  | 138  | 127  | 120  | 95   |     |

| DN  | Motor      |           | L    | 10SDS | B-10SDS |
|-----|------------|-----------|------|-------|---------|
|     | CS<br>mm   | FK<br>mm  |      |       |         |
| 175 | 145-6"     | 137-6"    | 865  | 78    | 88      |
|     | 191<br>8"  | 196<br>8" | 1035 | 103   | 116     |
|     |            |           | 1205 | 127   | 143     |
|     | 240<br>10" |           | 1375 | 151   | 170     |
|     |            | 1545      | 175  | 198   |         |
|     |            | 1715      | 199  | 226   |         |

P<sub>2</sub> Rated motor power output

(...) FK motor rated power output

H Total head in m

Tolerances according to ISO 9906, annex A

# SD, SDS

## Submersible motor pumps

### Cables connection kit

It allows connection of electric cables with junction submerged in water.

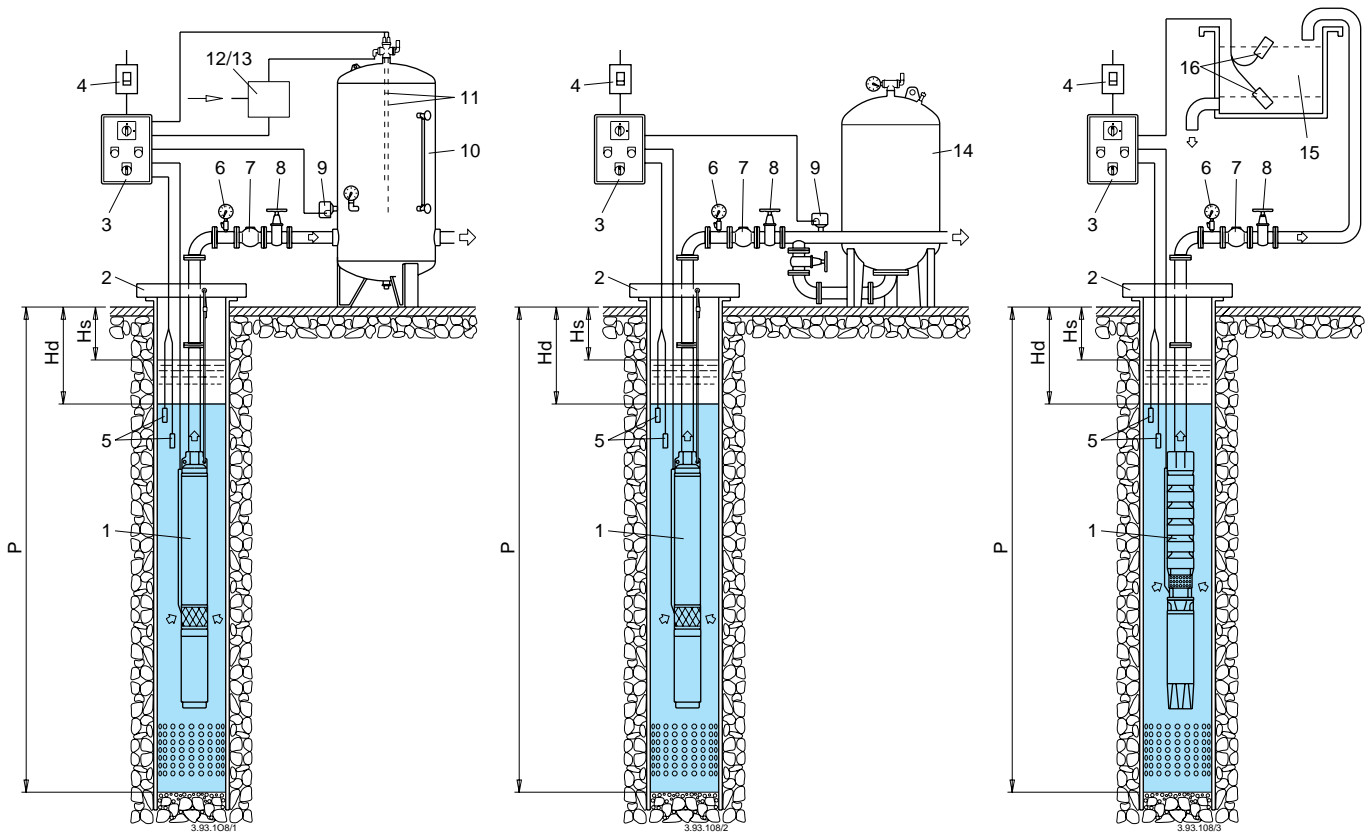
The kit includes:

- 4 connectors
- 4 shrink-sheaths for protection of individual wires
- 1 shrink-sheath for protection of the 4-pole wire.

The sheath shrinks with heating (flame or drier) which causes resin outlet granting connection waterproofing.



### Installation examples



- 1 Submersible pump
- 2 Pump support system
- 3 Electric control board
- 4 Circuit breaker
- 5 Minimum level probes
- 6 Pressure gauge
- 7 Check valve
- 8 Throttle gate valve
- 9 Pressure switch
- 10 Pressure tank
- 11 Probes for air entry control
- 12 Electric valve
- 13 Compressor
- 14 Membrane tank
- 15 Storage tank
- 16 Start-stop probes

Hs Static level  
Hd Dynamic level  
P Tubewell depth